



Product designation

Surge Protection
Device (SPD)

Product type designation

SE2DG

Operating voltage type

DC

Application

PV

Number of DIN modules

3

Electrical features

Rated operational voltage DC	VDC	1000
Maximum continuous voltage Ucpv	V	1060
IEC Rated discharge current (IEC) In 8/20 (L-N/N-PE)	kA	20
IEC Voltage protection level Up (L-N/N-PE)	kV	<4.2
Tripping time ta (L-N/N-PE)	ns	<25
Thermal insulation protection		YES
Backup protection fuse (IEC) with Isc >100A	Class/A	125A gR/gPV
Maximum short circuit current Iscpv	kA	1
Status indicator - operating / end of life		Frontal indication

Ambient conditions

Operating temperature

min	°C	-40
max	°C	+80

Max altitude

m 2000

Mechanical features

Fixing

Din rail

Conductor section Flexible max (IEC)

mm² 25

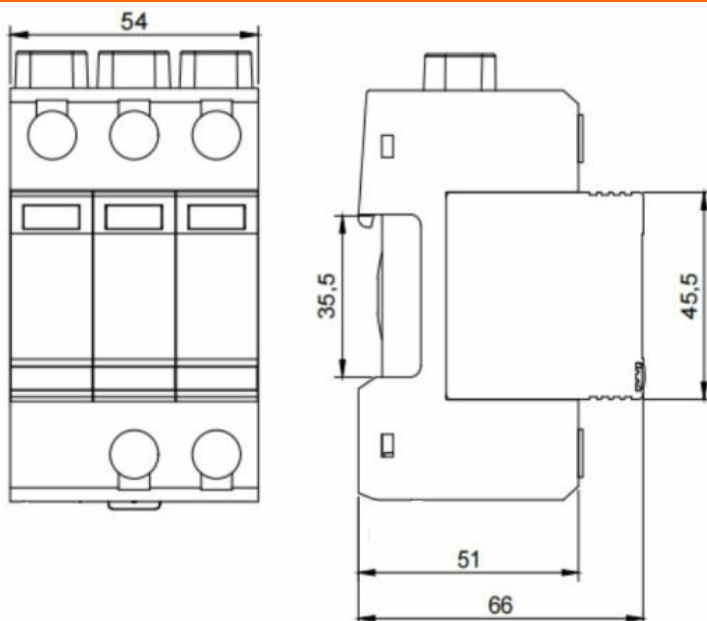
Conductor section Rigid max (IEC)

mm² 35

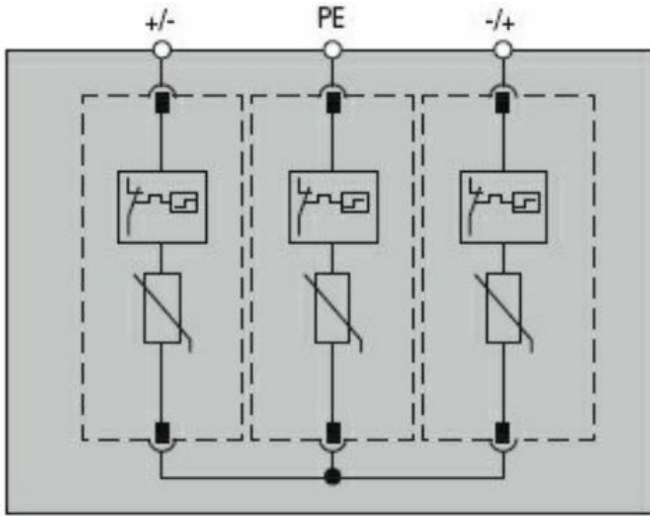
Weight

g 352

Dimensions



Wiring diagrams



Certifications and compliance

Certificates

CE

ETIM classification

ETIM 8.0

EC000941 -
Surge protection
device for power
supply systems