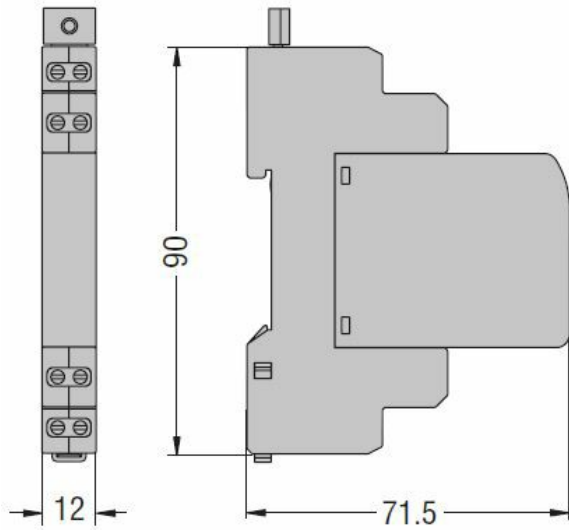
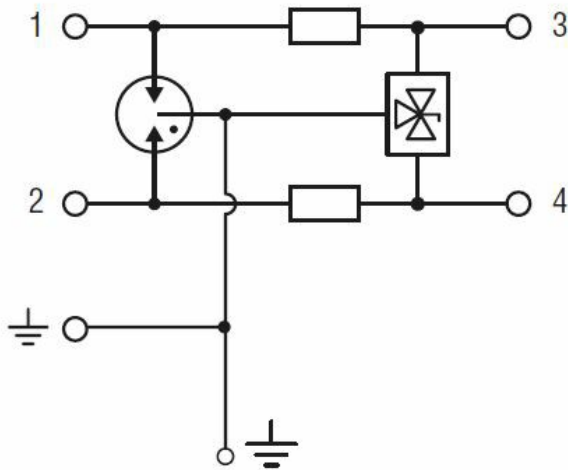




Product designation	Surge Protection Device (SPD)		
Product type designation	SASD		
Operating voltage type	DC		
Application	Data lines		
Number of DIN modules	0.5		
SPD according to IEC/EN 61643-11	YES		
<b>Electrical features</b>			
IEC Maximum continuous voltage $U_c$	V	170	
IEC Impulse current $I_{imp}$ 10/350 (L-N/N-PE)	kA	2.5	
IEC Maximum discharge current $I_{max}$ 8/20 (L-N/N-PE)	kA	20	
IEC Rated discharge current (IEC) $I_n$ 8/20 (L-N/N-PE)	kA	10	
IEC Voltage protection level $U_p$ (L-N/N-PE)	kV	<264	
Tripping time $t_a$ (L-N/N-PE)	ns	<1	
Thermal insulation protection	YES		
<b>Ambient conditions</b>			
Operating temperature	min	°C	-40
	max	°C	+80
Max altitude		m	2000
<b>Mechanical features</b>			
Fixing	Din rail		
Conductor section Flexible max (IEC)	mm <sup>2</sup>	4	
Conductor section Rigid max (IEC)	mm <sup>2</sup>	4	
Weight	g	52	
<b>Relay output for remote status indication</b>			
Type of contact	CO		
Rated current at	125V AC	A	3
	250V AC	A	0.5
	125V DC	A	0.2
	250V DC	A	0.1
<b>Dimensions</b>			



### Wiring diagrams



### Certifications and compliance

Compliance

IEC/EN/BS 61643-21

### ETIM classification

ETIM 8.0

EC000941 -  
Surge protection  
device for power  
supply systems