



Product designation	Surge Protection Device (SPD)
Product type designation	SAS
Application	Data lines
Number of DIN modules	1
SPD according to IEC/EN 61643-11	YES
SPD according to IEC/EN 61643-21	YES

Electrical features

C2 rated current I_n 8/20	kA	10
D1 impulse current I_{imp} 10/350	kA	1
Load current I_L at 25°C	A	1
Bandwidth	MHz	250, Cat.6
Maximum continuous voltage U_{cpv}	V	50
Voltage protection level U_p (L-L/L-PE)	kV	150 / 550
Tripping time t_a (L-N/N-PE)	ns	<1
Status indicator - operating / end of life		Missing signal

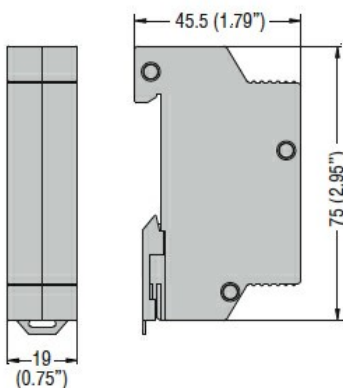
Ambient conditions

Operating temperature	min	°C	-40
	max	°C	+80
Max altitude		m	2000

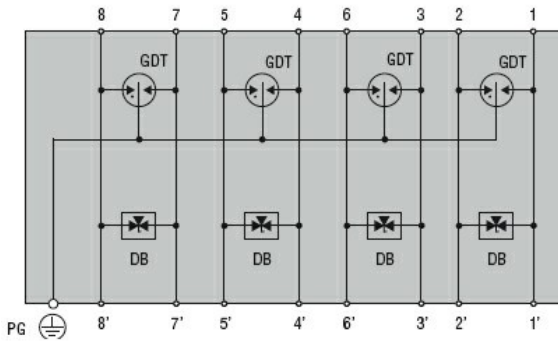
Mechanical features

Fixing	Din rail
Weight	g 120

Dimensions



Wiring diagrams



Certifications and compliance

Compliance

IEC/EN 61643-21

Certificates

EAC

ETIM classification

ETIM 8.0

EC000683 -
Surge protection
module