



Product designation	Surge Protection Device (SPD)
Product type designation	SASD
Operating voltage type	DC
Application	Data lines
Number of DIN modules	0.5
SPD according to IEC/EN 61643-11	YES

Electrical features

IEC Maximum continuous voltage U_c	V	33
IEC Impulse current I_{imp} 10/350 (L-N/N-PE)	kA	2.5
IEC Maximum discharge current I_{max} 8/20 (L-N/N-PE)	kA	20
IEC Rated discharge current (IEC) I_n 8/20 (L-N/N-PE)	kA	10
IEC Voltage protection level U_p (L-N/N-PE)	kV	<43
Tripping time t_a (L-N/N-PE)	ns	<1
Thermal insulation protection		YES

Ambient conditions

Operating temperature	min	°C	-40
	max	°C	+80
Max altitude		m	2000

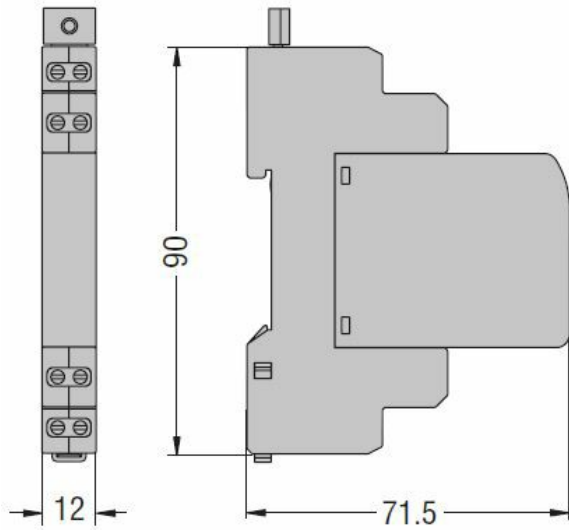
Mechanical features

Fixing		Din rail
Conductor section Flexible max (IEC)	mm ²	4
Conductor section Rigid max (IEC)	mm ²	4
Weight	g	58

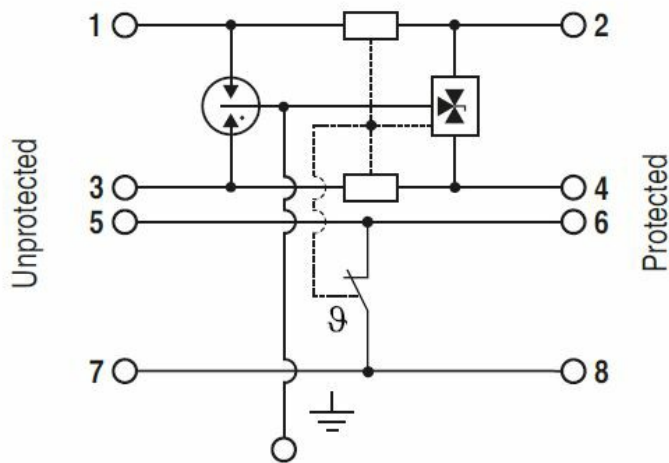
Relay output for remote status indication

Type of contact		CO	
Rated current at	125V AC	A	3
	250V AC	A	0.5
	125V DC	A	0.2
	250V DC	A	0.1

Dimensions



Wiring diagrams



Certifications and compliance

Compliance

IEC/EN/BS 61643-21

ETIM classification

ETIM 8.0

EC000941 -
 Surge protection
 device for power
 supply systems