



Product designation	Surge Protection Device (SPD)
Product type designation	SA3
Operating voltage type	AC
Application	AC Power lines
Number of poles	1P+N
Number of DIN modules	1
Relay output	Yes
SPD according to IEC/EN 61643-11	YES

#### Electrical features

IEC Maximum continuous voltage $U_c$	V	320
IEC Combined surge $U_{oc}/I_{sc}$ 1,2/50- 8/20 (kV/kA)	kV/kA	10 / 5
IEC Voltage protection level $U_p$ (L-N/N-PE)	kV	<1.5 / <1.5
Tripping time $t_a$ (L-N/N-PE)	ns	<100
IEC Backup protection fuse with supply fuse >63A (L-N/N-PE)	Class/A	63A Gg
IEC Maximum short circuit current at 50Hz	kA	10

Status indicator - operating / end of life Frontal indication/Aux contact

#### Ambient conditions

Operating temperature	min	°C	-40
	max	°C	+85
Max altitude		m	2000

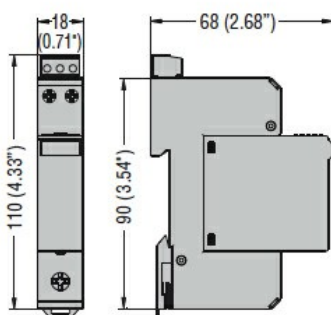
#### Mechanical features

Fixing		Din rail
Conductor section Flexible max (IEC)	mm <sup>2</sup>	4 (L,N) / 25 (PE)
Conductor section Rigid max (IEC)	mm <sup>2</sup>	6 (L,N) / 35 (PE)
Weight	g	140

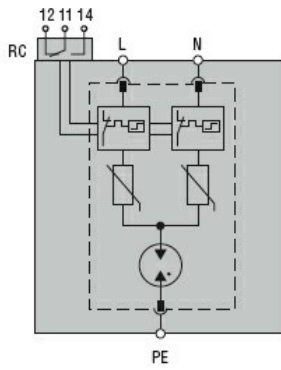
#### Relay output for remote status indication

Rated current at	125V AC	A	3
	250V AC	A	0.5

#### Dimensions



#### Wiring diagrams



### Certifications and compliance

#### Compliance

IEC/EN 61643-11

#### Certificates

EAC

### ETIM classification

ETIM 8.0

EC000941 -  
Surge protection  
device for power  
supply systems