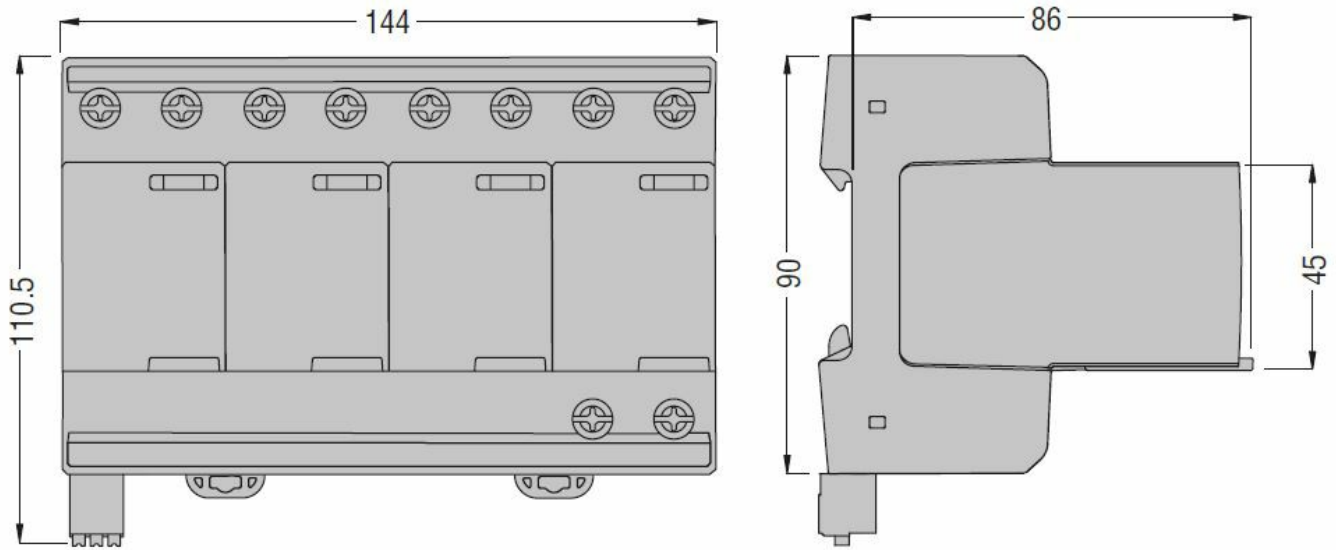
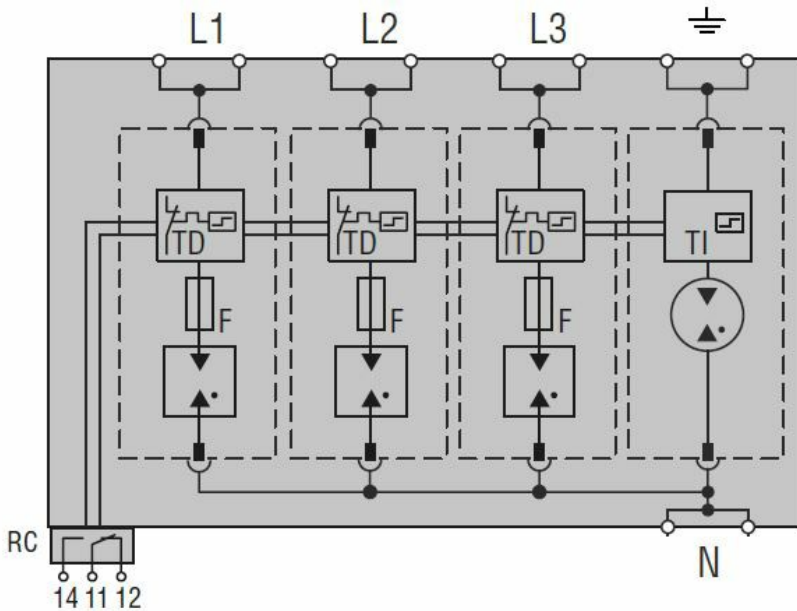




Product designation	Surge Protection Device (SPD)		
Product type designation	SA1F		
Operating voltage type	AC		
Application	AC Power lines		
Number of poles	4P		
Number of DIN modules	8		
Relay output	Yes		
SPD according to IEC/EN 61643-11	YES		
<b>Electrical features</b>			
IEC Maximum continuous voltage $U_c$	V	275	
IEC Impulse current $I_{imp}$ 10/350 (L-N/N-PE)	kA	25	
IEC Maximum discharge current $I_{max}$ 8/20 (L-N/N-PE)	kA	65/130	
IEC Rated discharge current (IEC) $I_n$ 8/20 (L-N/N-PE)	kA	25/100	
IEC Voltage protection level $U_p$ (L-N/N-PE)	kV	<2.1/<1.5	
IEC Follow current $I_f$ (N-PE) rms	A	100000	
Tripping time $t_a$ (L-N/N-PE)	ns	<100	
Thermal insulation protection	YES		
IEC Backup protection fuse with supply fuse >250A (L-N/N-PE)	Class/A	Not needed	
IEC Maximum short circuit current at 50Hz	kA	100	
Status indicator - operating / end of life	Frontal indication/Aux contact		
<b>Ambient conditions</b>			
Operating temperature	min	°C	-40
	max	°C	+80
Max altitude		m	2000
<b>Mechanical features</b>			
Fixing	Din rail		
Conductor section Flexible max (IEC)	mm <sup>2</sup>	25	
Conductor section Rigid max (IEC)	mm <sup>2</sup>	35	
Weight	g	1065	
<b>Relay output for remote status indication</b>			
Type of contact	CO		
Rated current at			
	125V AC	A	3
	250V AC	A	0.5
	125V DC	A	0.2
	250V DC	A	0.1
<b>Dimensions</b>			



Wiring diagrams



Certifications and compliance

Compliance

IEC/EN/BS 61643-11

ETIM classification

ETIM 8.0

EC000941 -  
Surge protection  
device for power  
supply systems