



| | |
|----------------------------------|-------------------------------|
| Product designation | Surge Protection Device (SPD) |
| Product type designation | SA1B |
| Operating voltage type | AC |
| Application | AC Power lines |
| Number of poles | 4P |
| Number of DIN modules | 8 |
| Relay output | Yes |
| SPD according to IEC/EN 61643-11 | YES |

Electrical features

| | | |
|---|---------|--------------------------------|
| IEC Maximum continuous voltage U_c | V | 320 |
| IEC Impulse current I_{imp} 10/350 (L-N/N-PE) | kA | 25 |
| IEC Maximum discharge current I_{max} 8/20 (L-N/N-PE) | kA | 100 |
| IEC Rated discharge current (IEC) I_n 8/20 (L-N/N-PE) | kA | 25 |
| IEC Voltage protection level U_p (L-N/N-PE) | kV | <1.4 |
| Temporary overvoltage (TOV) withstand U_t (L-N for 5s) | V | 334 |
| Temporary overvoltage (TOV) safe fail (L-N for 120min) | V | 438 |
| IEC Residual voltage U_{res} (L-N/N-PE) at 5kA (8/20) | kV | 1.1 |
| IEC Follow current I_f (N-PE) rms | A | No |
| Tripping time t_a (L-N/N-PE) | ns | <25 |
| Thermal insulation protection | | YES |
| IEC Backup protection fuse with supply line fuse >250A (L-N/N-PE) | Class/A | 250A gL/gG |
| IEC Maximum short circuit current at 50Hz | kA | 50 |
| Status indicator - operating / end of life | | Frontal indication/Aux contact |

Ambient conditions

| | | | |
|-----------------------|-----|----|------|
| Operating temperature | min | °C | -40 |
| | max | °C | +80 |
| Max altitude | | m | 2000 |

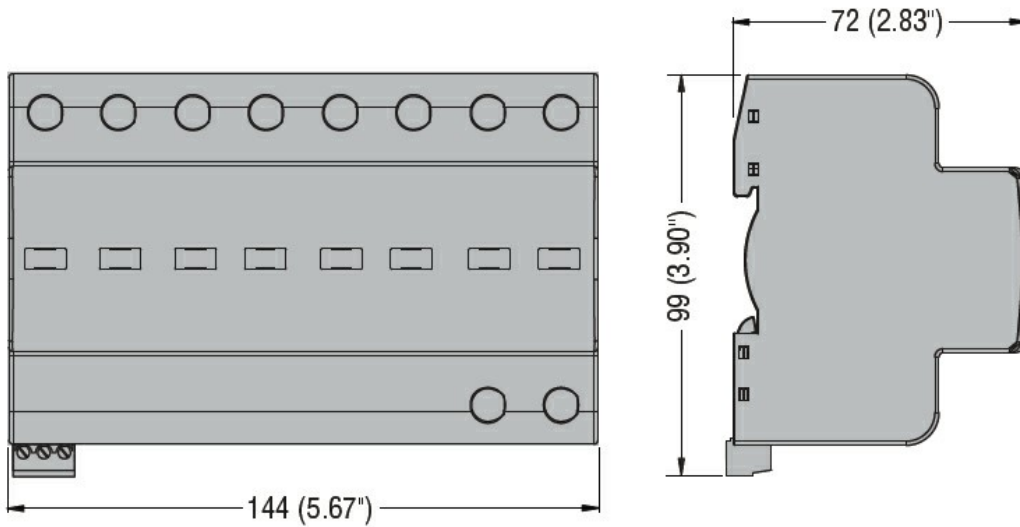
Mechanical features

| | | |
|--------------------------------------|-----------------|----------|
| Fixing | | Din rail |
| Conductor section Flexible max (IEC) | mm ² | 25 |
| Conductor section Rigid max (IEC) | mm ² | 35 |
| Weight | g | 780 |

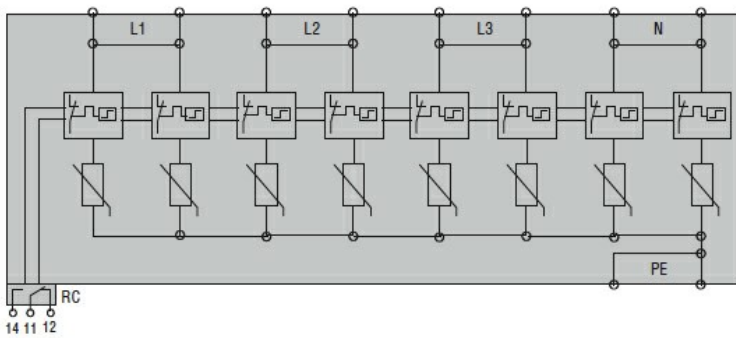
Relay output for remote status indication

| | | | |
|------------------|---------|----|-----|
| Type of contact | | CO | |
| Rated current at | 125V AC | A | 3 |
| | 250V AC | A | 0.5 |
| | 125V DC | A | 0.2 |
| | 250V DC | A | 0.1 |

Dimensions



Wiring diagrams



Certifications and compliance

Compliance

IEC/EN 61643-11

Certificates

EAC

ETIM classification

ETIM 8.0

EC000941 -
Surge protection
device for power
supply systems