



| | |
|----------------------------------|-------------------------------|
| Product designation | Surge Protection Device (SPD) |
| Product type designation | SA0B |
| Operating voltage type | AC |
| Application | AC Power lines |
| Number of poles | 3P |
| Number of DIN modules | 3 |
| Relay output | Yes |
| SPD according to IEC/EN 61643-11 | YES |

Electrical features

| | | |
|---|---------|---------|
| IEC Maximum continuous voltage U_c | V | 320 |
| IEC Impulse current I_{imp} 10/350 (L-N/N-PE) | kA | 12.5 |
| IEC Maximum discharge current I_{max} 8/20 (L-N/N-PE) | kA | 50 |
| IEC Rated discharge current (IEC) I_n 8/20 (L-N/N-PE) | kA | 20 |
| IEC Voltage protection level U_p (L-N/N-PE) | kV | <1.5 |
| Temporary overvoltage (TOV) withstand U_t (L-N for 5s) | V | 334 |
| Temporary overvoltage (TOV) safe fail (L-N for 120min) | V | 438 |
| IEC Follow current I_f (N-PE) rms | A | No |
| Tripping time t_a (L-N/N-PE) | ns | <25 |
| Thermal insulation protection | | YES |
| IEC Backup protection fuse with supply line fuse >250A (L-N/N-PE) | Class/A | 250A gG |
| IEC Maximum short circuit current at 50Hz | kA | 50 |

| | |
|--|--------------------------------|
| Status indicator - operating / end of life | Frontal indication/Aux contact |
|--|--------------------------------|

Ambient conditions

| | | | |
|-----------------------|-----|----|------|
| Operating temperature | min | °C | -40 |
| | max | °C | +85 |
| Max altitude | | m | 2000 |

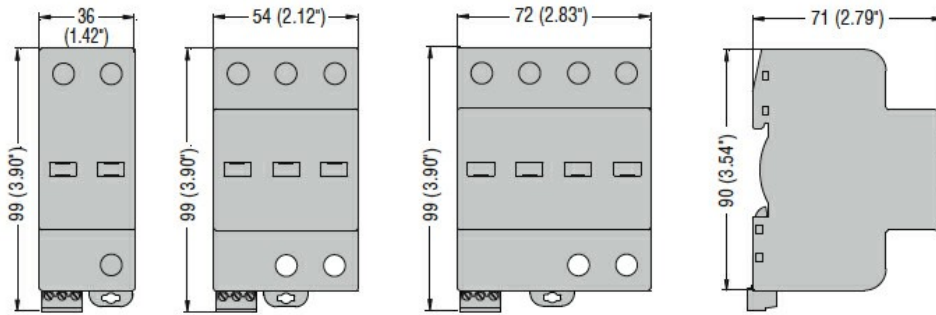
Mechanical features

| | |
|--------------------------------------|--------------------|
| Fixing | Din rail |
| Conductor section Flexible max (IEC) | mm ² 25 |
| Conductor section Rigid max (IEC) | mm ² 35 |
| Weight | g 330 |

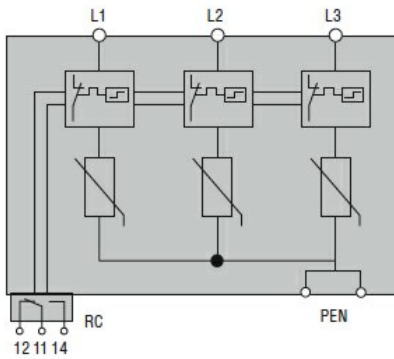
Relay output for remote status indication

| | | |
|------------------|---------|-------|
| Type of contact | CO | |
| Rated current at | 125V AC | A 3 |
| | 250V AC | A 0.5 |

Dimensions



Wiring diagrams



Certifications and compliance

Compliance

IEC/EN 61643-11

Certificates

EAC

ETIM classification

ETIM 8.0

EC000941 -
Surge protection
device for power
supply systems