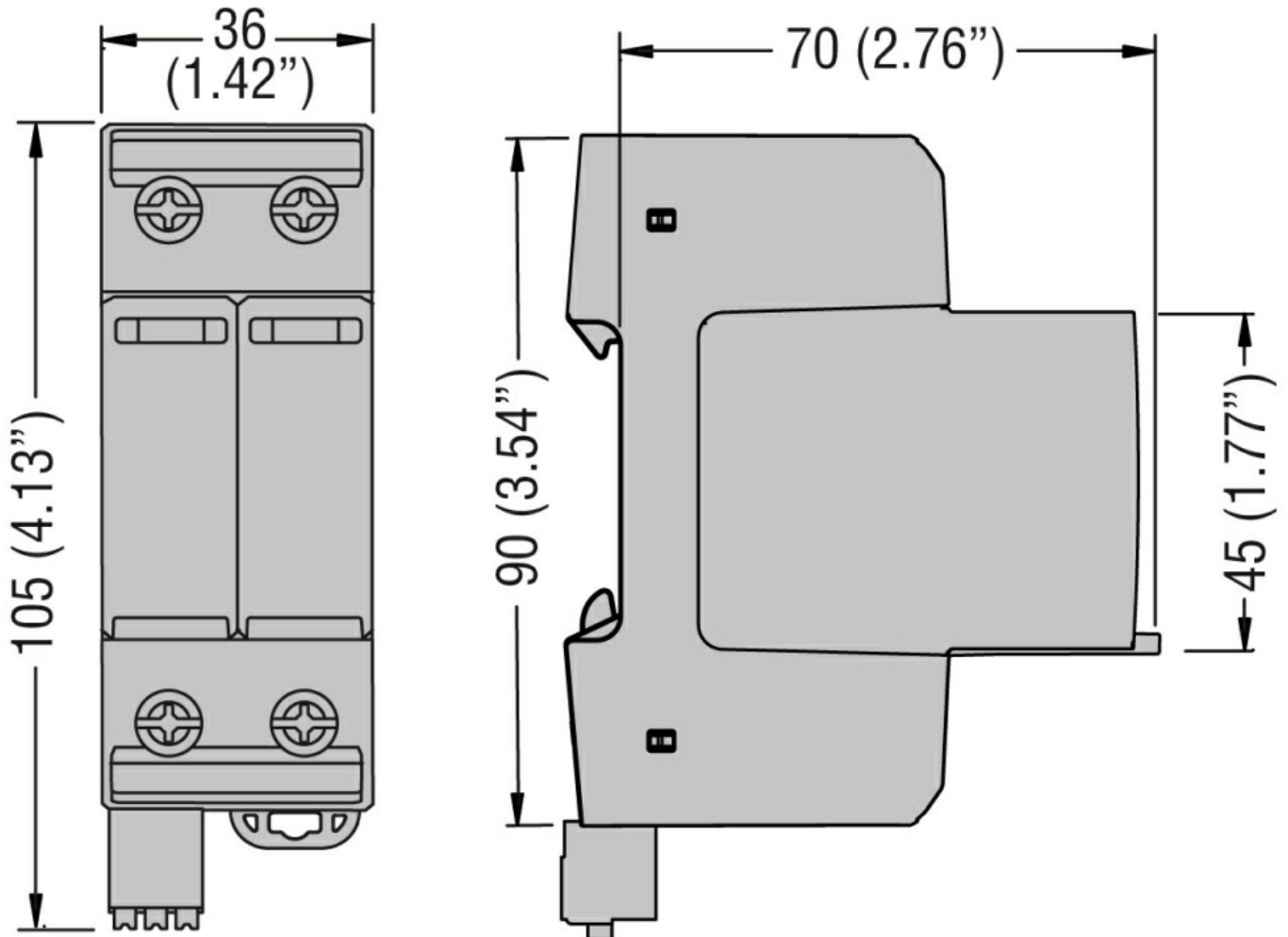
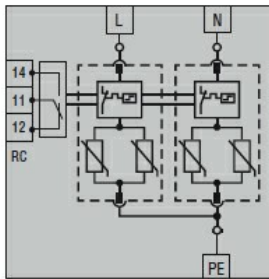




Product designation	Surge Protection Device (SPD)		
Product type designation	SA0		
Operating voltage type	AC		
Application	AC Power lines		
Number of poles	2P		
Number of DIN modules	2		
Relay output	Yes		
SPD according to IEC/EN 61643-11	YES		
Electrical features			
IEC Maximum continuous voltage U_c	V	300	
IEC Impulse current I_{imp} 10/350 (L-N/N-PE)	kA	12.5	
IEC Maximum discharge current I_{max} 8/20 (L-N/N-PE)	kA	40	
IEC Rated discharge current (IEC) I_n 8/20 (L-N/N-PE)	kA	20	
IEC Voltage protection level U_p (L-N/N-PE)	kV	<1.5	
Temporary overvoltage (TOV) withstand U_t (L-N for 5s)	V	335	
IEC Follow current I_f (N-PE) rms	A	No	
Tripping time t_a (L-N/N-PE)	ns	<25	
Thermal insulation protection	YES		
IEC Backup protection fuse with supply fuse >160A (L-N/N-PE)	Class/A	160 Gg	
IEC Maximum short circuit current at 50Hz	kA	50	
Status indicator - operating / end of life	Frontal indication/Aux contact		
Ambient conditions			
Operating temperature	min	°C	-40
	max	°C	+80
Max altitude		m	2000
Mechanical features			
Fixing	Din rail		
Conductor section Flexible max (IEC)	mm ²	25	
Conductor section Rigid max (IEC)	mm ²	35	
Weight	g	370	
Relay output for remote status indication			
Type of contact	CO		
Rated current at			
	125V AC	A	3
	250V AC	A	0.5
	125V DC	A	0.2
	250V DC	A	0.1
Dimensions			



Wiring diagrams



Certifications and compliance

Compliance

IEC/EN 61643-11

Certificates

EAC

ETIM classification

ETIM 8.0

EC000941 -
Surge protection
device for power
supply systems