

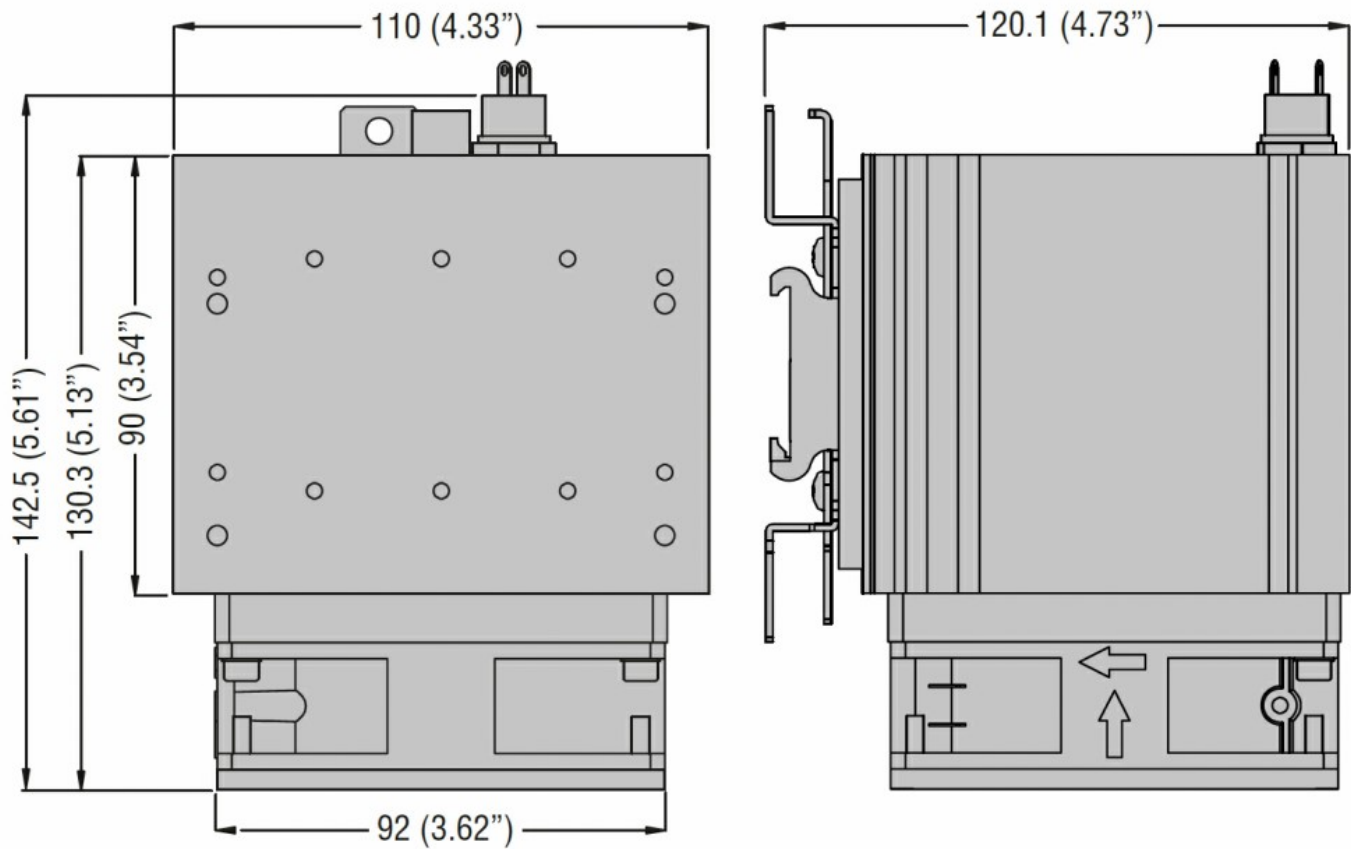


Product designation

Product type designation

Solid state relay -
Accessories
HSBX

Dimensions



Certifications and compliance

Certifications

- IEC/EN/BS 60335-1
- IEC/EN/BS 60947-4-2
- IEC/EN/BS 60947-4-3
- IEC/EN/BS 62314

ETIM classification

EC000066 - Power contactor, AC switching