

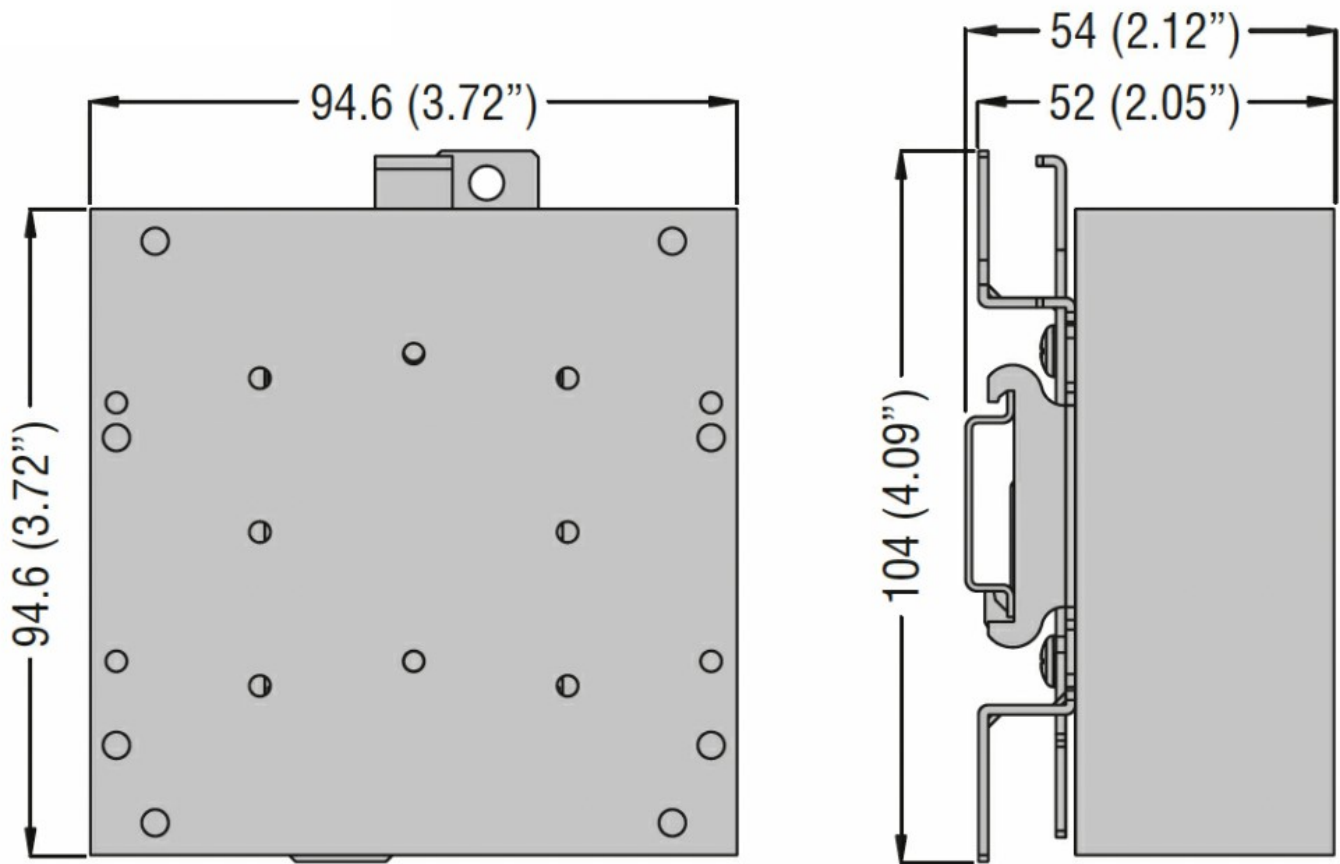


Solid state relay -
 Accessories
 HSBX

Product designation

Product type designation

Dimensions



Certifications and compliance

Certifications

- IEC/EN/BS 60335-1
- IEC/EN/BS 60947-4-2
- IEC/EN/BS 60947-4-3
- IEC/EN/BS 62314

ETIM classification

EC000066 - Power contactor, AC switching