



Product designation
Product type designation
Type

Solid state relay
HS2C
Three-phase (2
controlled)

Input characteristics

Control voltage	4...32VDC		
Operating voltage limits			
	Operating voltage pick-up	V	4
	Operating voltage drop-out	V	2
Input current at min...max voltage	mA		13...21

Operating times

Switching-on	Half cycle max		
Switching-off	Half cycle max		

Output characteristics

Switching mode	Zero crossing		
Rated operating voltage	VAC		48...600
Blocking voltage	V		1200
Operational frequency (min...max)	Hz		45...65
Rated operating current AC-51 (resistive load) at 40°C	A		60
Rated operating current AC-51 (resistive load) at 55°C	A		48
Rated operating current AC-53 (motor load) at 40°C	A		15
Operational current min	A		0.16
Non repetitive surge peak on state current t=10ms	A		530
Off state leakage current	mA		1
On state output voltage drop	V		1.2
Critical rate of rise of off-state voltage dv/dt	V/μs		1000
Input - Output isolation	V		5000
Input - Output to metal base	V		5000
Output protection type	VDR		
I2t	A2s		1404

Terminal characteristics

Control terminals	Type	Screw	
Terminals tool	Blade 3.5mm		
Tightening torque control terminals	Nm	0.5Nm	
	lbin	4.5	
Conductor section connectable (control terminals) with 1 or 2 wires min...max			
	AWG stranded	n°	28...12
	Flexible w/o lug	mm2	0.75...2.5
	Flexible c/w insulated spade lug	mm2	0.75...2.5
Load terminals	Type	Screw	
Load terminals tool	PH2		
Tightening torque load terminals	Nm	1.5	
	lbin	13.3	

Conductor section connectable (load terminals) with 1 or 2 wires min...max

AWG stranded	n°	18...10
Flexible w/o lug	mm2	1...6
Flexible c/w insulated spade lug	mm2	1...16

Operating position

allowable On vertical plane

Fixing

Screw or on
35mm DIN rail

Ambient conditions

Temperature

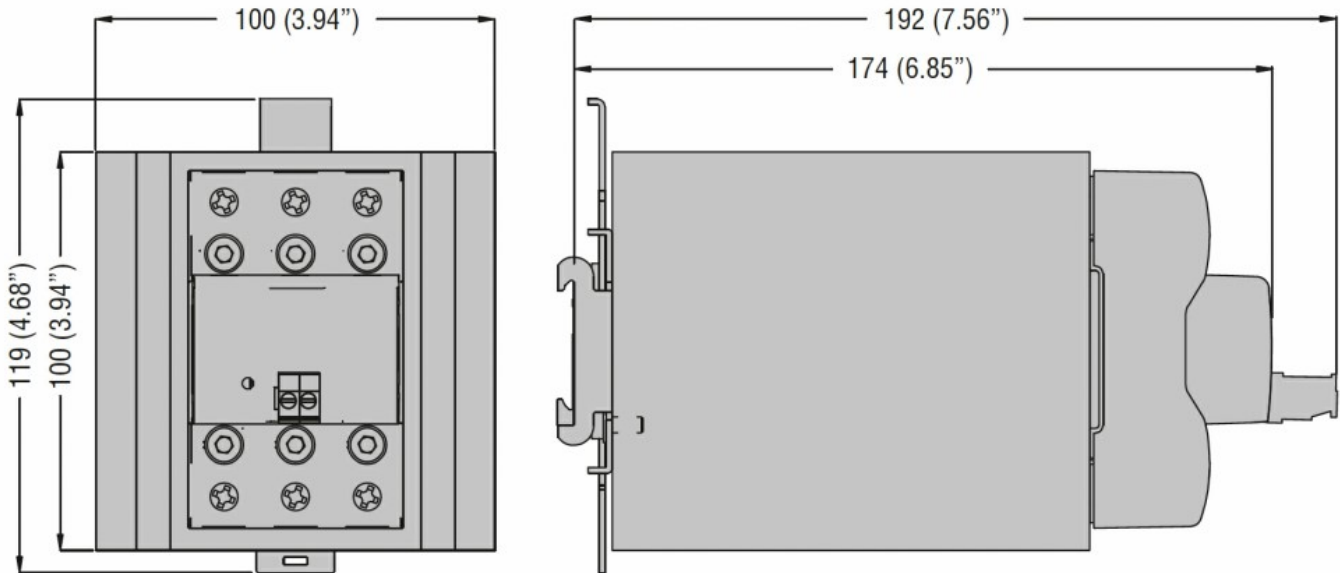
Operating temperature

min	°C	-40
max	°C	+80

Storage temperature

min	°C	-40
max	°C	+130

Dimensions



Certifications and compliance

Certifications

- IEC/EN/BS 60335-1
- IEC/EN/BS 60947-4-2
- IEC/EN/BS 60947-4-3
- IEC/EN/BS 62314

Compliance

cULus

ETIM classification

EC000066 - Power contactor, AC switching