



|                          |                            |
|--------------------------|----------------------------|
| Product designation      | Solid state relay          |
| Product type designation | HS2C                       |
| Type                     | Three-phase (2 controlled) |

**Input characteristics**

|                                    |                                |
|------------------------------------|--------------------------------|
| Control voltage                    | 4...32VDC                      |
| Operating voltage limits           |                                |
|                                    | Operating voltage pick-up V 4  |
|                                    | Operating voltage drop-out V 2 |
| Input current at min...max voltage | mA 13...21                     |

**Operating times**

|               |                |
|---------------|----------------|
| Switching-on  | Half cycle max |
| Switching-off | Half cycle max |

**Output characteristics**

|  |               |
|--|---------------|
| Switching mode   | Zero crossing |
| Rated operating voltage                                | VAC 48...600  |
| Blocking voltage                                       | V 1200        |
| Operational frequency (min...max)                      | Hz 45...65    |
| Rated operating current AC-51 (resistive load) at 40°C | A 15          |
| Rated operating current AC-51 (resistive load) at 55°C | A 12          |
| Rated operating current AC-53 (motor load) at 40°C     | A 7           |
| Operational current min                                | A 0.16        |
| Non repetitive surge peak on state current t=10ms      | A 530         |
| Off state leakage current                              | mA 1          |
| On state output voltage drop                           | V 1.2         |
| Critical rate of rise of off-state voltage dv/dt       | V/μs 1000     |
| Input - Output isolation                               | V 5000        |
| Input - Output to metal base                           | V 5000        |
| Output protection type                                 | VDR           |
| I <sup>2</sup> t                                       | A2s 1404      |

**Terminal characteristics**

|   |                                  |                            |
|---|----------------------------------|----------------------------|
| Control terminals   | Type                             | Screw                      |
| Terminals tool  |                                  | Blade 3.5mm                |
| Tightening torque control terminals   | Nm                               | 0.5Nm                      |
|   | lbin                             | 4.5                        |
| Conductor section connectable (control terminals) with 1 or 2 wires min...max |                                  |                            |
|   | AWG stranded                     | n° 28...12                 |
|   | Flexible w/o lug                 | mm <sup>2</sup> 0.75...2.5 |
|   | Flexible c/w insulated spade lug | mm <sup>2</sup> 0.75...2.5 |
| Load terminals  | Type                             | Screw                      |
| Load terminals tool   |                                  | PH2                        |
| Tightening torque load terminals  | Nm                               | 1.5                        |
|   | lbin                             | 13.3                       |

Conductor section connectable (load terminals) with 1 or 2 wires min...max

|                                  |     |         |
|----------------------------------|-----|---------|
| AWG stranded                     | n°  | 18...10 |
| Flexible w/o lug                 | mm2 | 1...6   |
| Flexible c/w insulated spade lug | mm2 | 1...16  |

Operating position

allowable On vertical plane

Fixing

Screw or on  
35mm DIN rail

**Ambient conditions**

Temperature

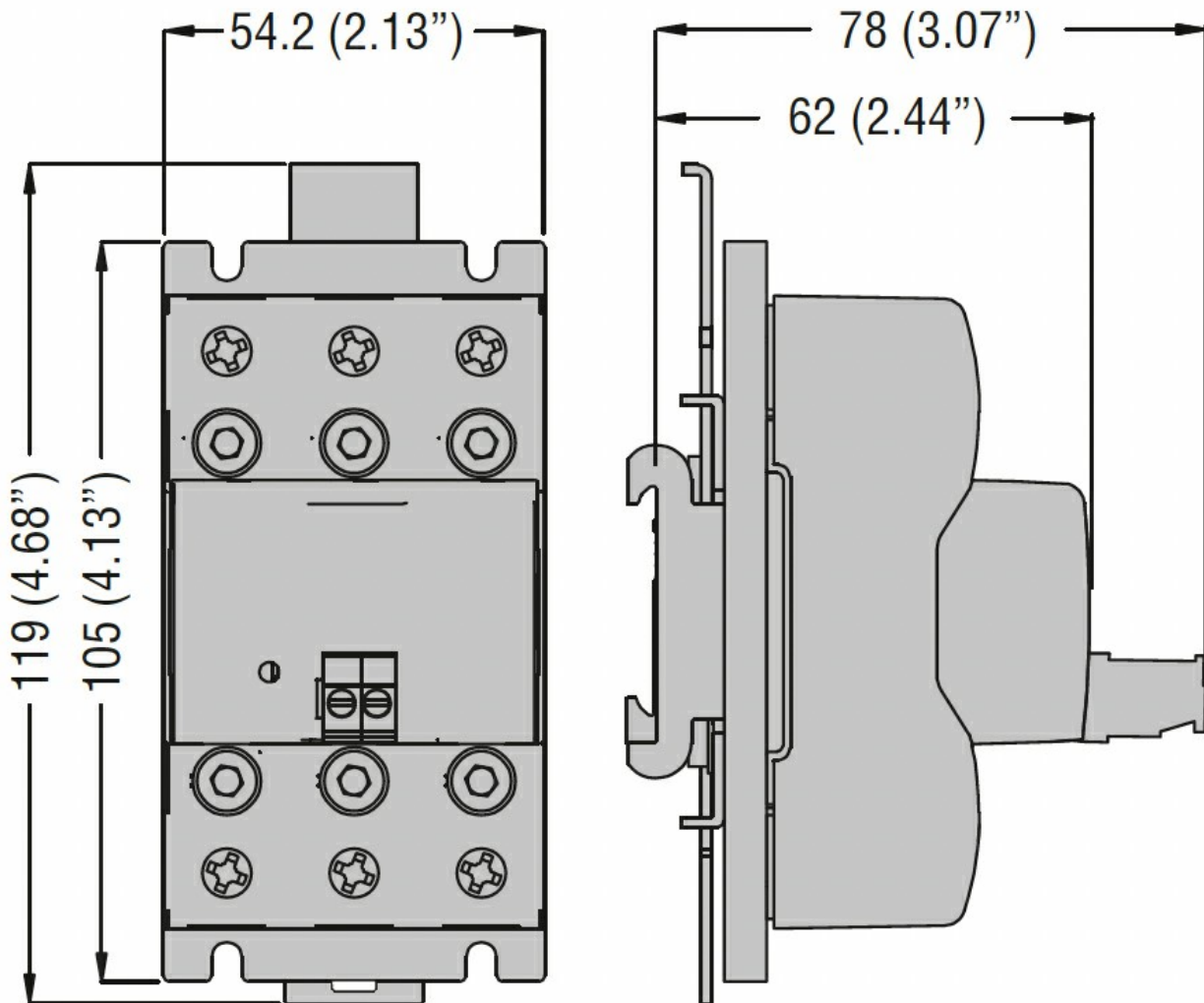
Operating temperature

|     |    |     |
|-----|----|-----|
| min | °C | -40 |
| max | °C | +80 |

Storage temperature

|     |    |      |
|-----|----|------|
| min | °C | -40  |
| max | °C | +130 |

**Dimensions**



**Certifications and compliance**

Certifications

- IEC/EN/BS 60335-1
- IEC/EN/BS 60947-4-2
- IEC/EN/BS 60947-4-3
- IEC/EN/BS 62314

---

Compliance

cULus

ETIM classification

EC000066 - Power contactor, AC switching