



Product designation	Solid state relay
Product type designation	HS2B
Type	Two-phase

Input characteristics

Control voltage	3...32VDC
Operating voltage limits	

	Operating voltage pick-up	V	3
	Operating voltage drop-out	V	2

Input current at min...max voltage	mA	10...13
Input reverse voltage	V	32

Operating times

Switching-on	Half cycle max
Switching-off	Half cycle max

Output characteristics

Switching mode	Zero crossing	
Rated operating voltage	VAC	12...280
Blocking voltage	V	600
Operational frequency (min...max)	Hz	45...65
Rated operating current AC-51 (resistive load) at 40°C	A	25
Rated operating current AC-51 (resistive load) at 55°C	A	21
Heatsink for use at 40°C and 55°C at rated current AC-51	K/W	≤0.3
Operational current min	A	0.05
Non repetitive surge peak on state current t=10ms	A	250
Off state leakage current	mA	1
On state output voltage drop	V	1.6
Critical rate of rise of off-state voltage dv/dt	V/μs	500
Input - Output isolation	V	4000
Input - Output to metal base	V	2500
I ² t	A ² s	340

Terminal characteristics

Control terminals	Type	Faston 4.8x0.8
Conductor section connectable (control terminals) with 1 or 2 wires min...max		

	AWG stranded	n°	16...14 (Faston lug)
	Flexible c/w insulated spade lug	mm ²	0.75...6 (Faston lug)

Load terminals	Type	Faston 6.3x0.8
Conductor section connectable (load terminals) with 1 or 2 wires min...max		

	AWG stranded	n°	16...10 (Faston lug)
	Flexible c/w insulated spade lug	mm ²	0.75...6 (Faston lug)

Operating position	allowable	Any
--------------------	-----------	-----

Fixing	Screw
--------	-------

Ambient conditions

Temperature

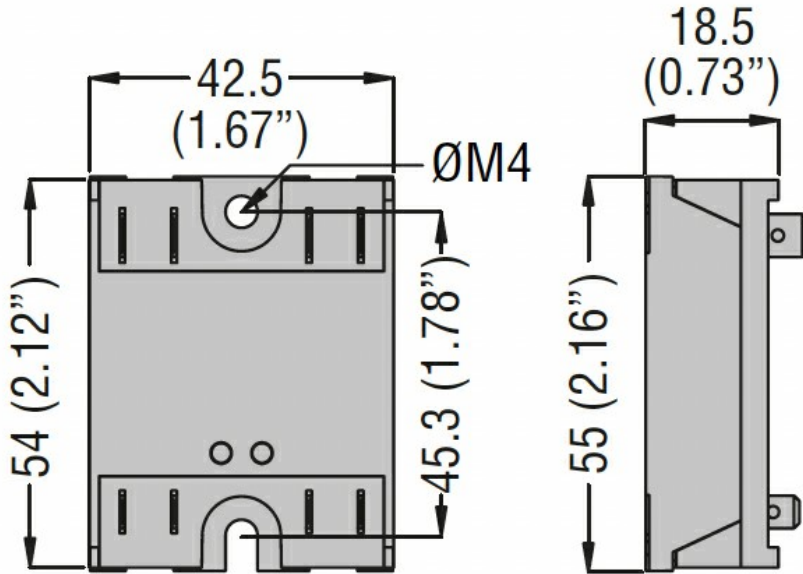
Operating temperature

min	°C	-40
max	°C	+90

Storage temperature

min	°C	-40
max	°C	+100

Dimensions



Certifications and compliance

Certifications

- IEC/EN/BS 60335-1
- IEC/EN/BS 60947-4-2
- IEC/EN/BS 60947-4-3
- IEC/EN/BS 62314

Compliance

- CSA
- cURus
- VDE

ETIM classification

EC000066 - Power contactor, AC switching