



Product designation	Solid state relay
Product type designation	HS1C
Type	single-phase

Input characteristics

Control voltage	4...32VDC
Operating voltage limits	
	Operating voltage pick-up V 4
	Operating voltage drop-out V 2
Input current at min...max voltage	mA 8...12

Operating times

Switching-on	Half cycle max
Switching-off	Half cycle max

Output characteristics

Switching mode	Zero crossing
Rated operating voltage	VAC 48...600
Blocking voltage	V 1200
Operational frequency (min...max)	Hz 45...65
Rated operating current AC-51 (resistive load) at 40°C	A 60
Rated operating current AC-51 (resistive load) at 55°C	A 40
Operational current min	A 0.165
Non repetitive surge peak on state current t=10ms	A 520
Off state leakage current	mA 1
On state output voltage drop	V 1.2
Critical rate of rise of off-state voltage dv/dt	V/μs 1000
Input - Output isolation	V 5000
Input - Output to metal base	V 5000
Output protection type	VDR
I ² t	A2s 1350

Terminal characteristics

Control terminals	Type	Screw
Terminals tool		Blade 3.5mm
Tightening torque control terminals	Nm	0.5Nm
	Ibin	4.5
Conductor section connectable (control terminals) with 1 or 2 wires min...max		
	AWG stranded	n° 28...12
	Flexible w/o lug	mm ² 0.75...2.5
	Flexible c/w insulated spade lug	mm ² 0.75...2.5
Load terminals	Type	Screw
Load terminals tool		PH2
Tightening torque load terminals	Nm	1.5
	Ibin	13.3
Conductor section connectable (load terminals) with 1 or 2 wires min...max		
	AWG stranded	n° 18...10

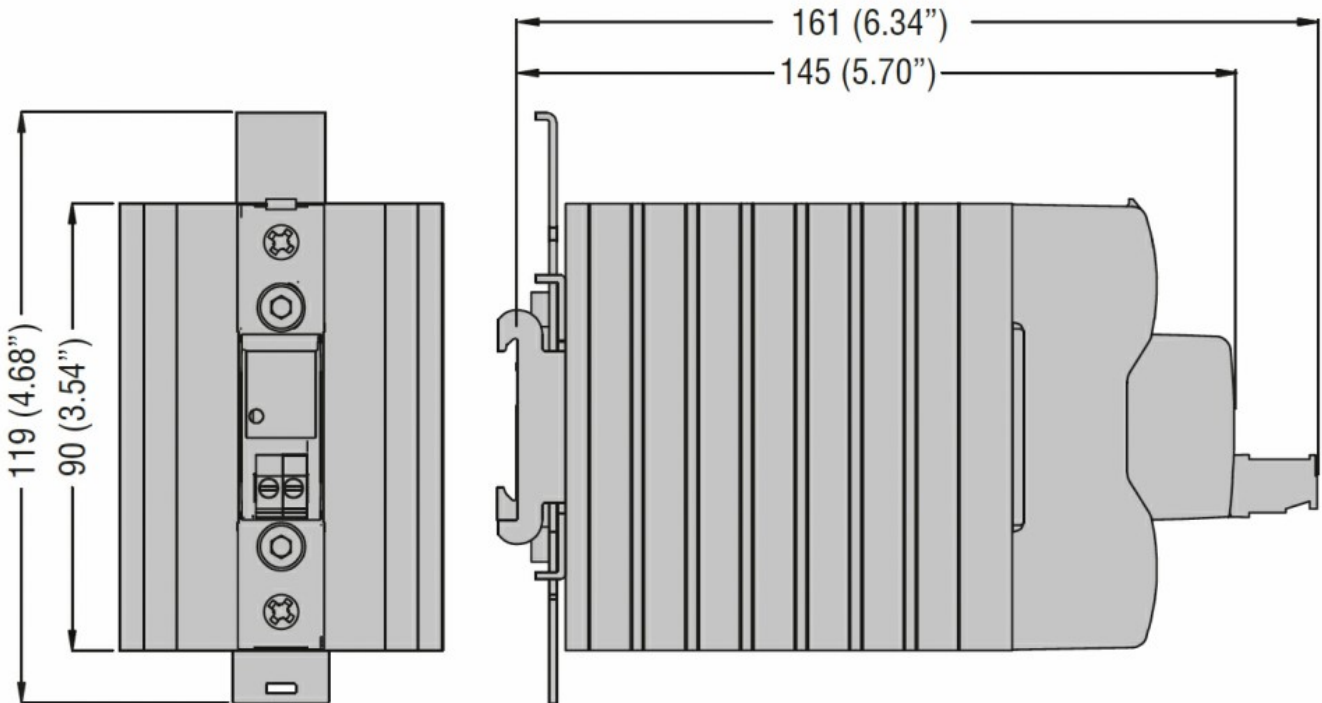
Flexible w/o lug	mm ²	1...6
Flexible c/w insulated spade lug	mm ²	1...16

Operating position	allowable	On vertical plane
Fixing		Screw or on 35mm DIN rail

Ambient conditions

Temperature	Operating temperature	min	°C	-40
		max	°C	+80
	Storage temperature	min	°C	-40
		max	°C	+130

Dimensions



Certifications and compliance

Certifications

- IEC/EN/BS 60335-1
- IEC/EN/BS 60947-4-2
- IEC/EN/BS 60947-4-3
- IEC/EN/BS 62314

Compliance

cULus

ETIM classification

EC000066 - Power contactor, AC switching