



Product designation	Solid state relay		
Product type designation	HS1B		
Type	single-phase		
<b>Input characteristics</b>			
Control voltage	18...280VAC/DC		
Operating voltage limits			
	Operating voltage pick-up	V	18
	Operating voltage drop-out	V	8
Input current at min...max voltage		mA	4.5...6
<b>Operating times</b>			
Switching-on	Half cycle max		
Switching-off	Half cycle max		
<b>Output characteristics</b>			
Switching mode	Zero crossing		
Rated operating voltage	VAC		24...600
Blocking voltage	V		1200
Operational frequency (min...max)	Hz		45...65
Rated operating current AC-51 (resistive load) at 40°C	A		60
Rated operating current AC-51 (resistive load) at 55°C	A		52
Heatsink for use at 40°C and 55°C at rated current AC-51	K/W		≤0.55
Operational current min	A		0.05
Non repetitive surge peak on state current t=10ms	A		750
Off state leakage current	mA		1
On state output voltage drop	V		1.45
Critical rate of rise of off-state voltage dv/dt	V/μs		500
Input - Output isolation	V		4000
Input - Output to metal base	V		4000
Output protection type			TVS
I2t	A2s		2800
<b>Terminal characteristics</b>			
Control terminals	Type		Screw M4
Terminals tool			PZ2
Tightening torque control terminals			
	Nm		1.2...2
	Ibin		10.6...17.7
Conductor section connectable (control terminals) with 1 or 2 wires min...max			
	AWG stranded	n°	18...14
	Flexible w/o lug	mm2	0.75...2.5
	Flexible c/w insulated spade lug	mm2	0.75...2.5
Load terminals	Type		Screw M5
Load terminals tool			PZ2
Tightening torque load terminals			
	Nm		2...3
	Ibin		20.4
Conductor section connectable (load terminals) with 1 or 2 wires min...max			

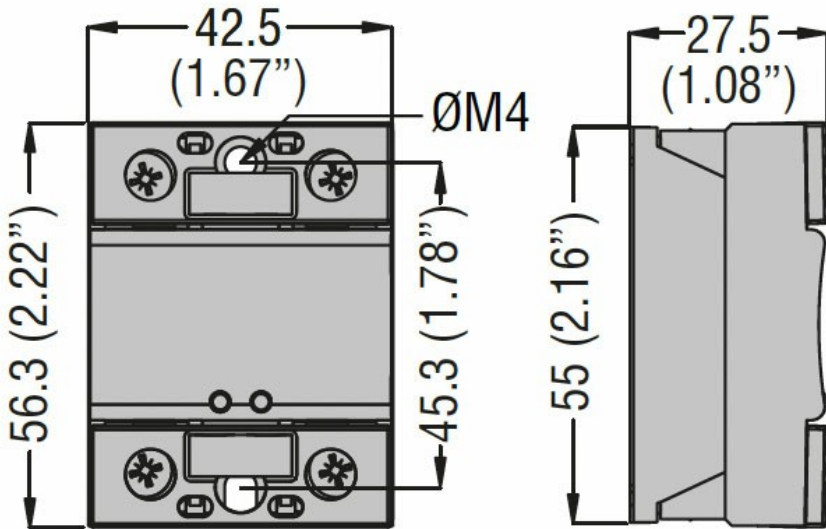
AWG stranded	n°	16...10
Flexible w/o lug	mm2	1.5...6
Flexible c/w insulated spade lug	mm2	1.5...6

Operating position	allowable	Any
Fixing		Screw

**Ambient conditions**

Temperature	Operating temperature	min	°C	-55
		max	°C	+90
	Storage temperature	min	°C	-55
		max	°C	+125

**Dimensions**



**Certifications and compliance**

Certifications	IEC/EN/BS 60335-1
	IEC/EN/BS 60947-4-2
	IEC/EN/BS 60947-4-3
	IEC/EN/BS 62314

Compliance	cURus
	VDE

**ETIM classification**

EC000066 - Power contactor, AC switching