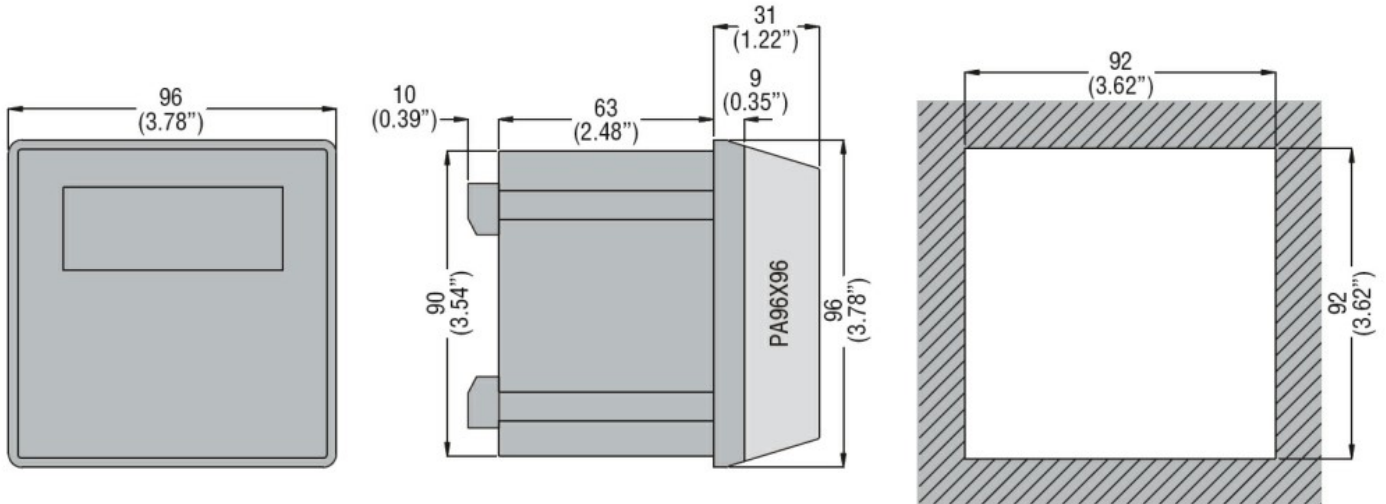




### Dimensions



### Certifications and compliance

#### Compliance

IEC/EN 61000-6-1

#### Certificates

EAC

### ETIM classification

ETIM 8.0

EC002498 -  
Accessories/spare  
parts for low-  
voltage switch  
technology