



Signal tower
Ø70mm/2.75"
LTN70

Product designation

Product type designation

General characteristics

| | | |
|--------------------------|-----------|-----------|
| Diameter | mm - inch | 70 / 2.75 |
| Supply voltage (DC) | V | 12...24 |
| IEC degree of protection | | IP65 |
| Power consumption | VA | 1 |

Mechanical features

Terminals screw Spring terminals

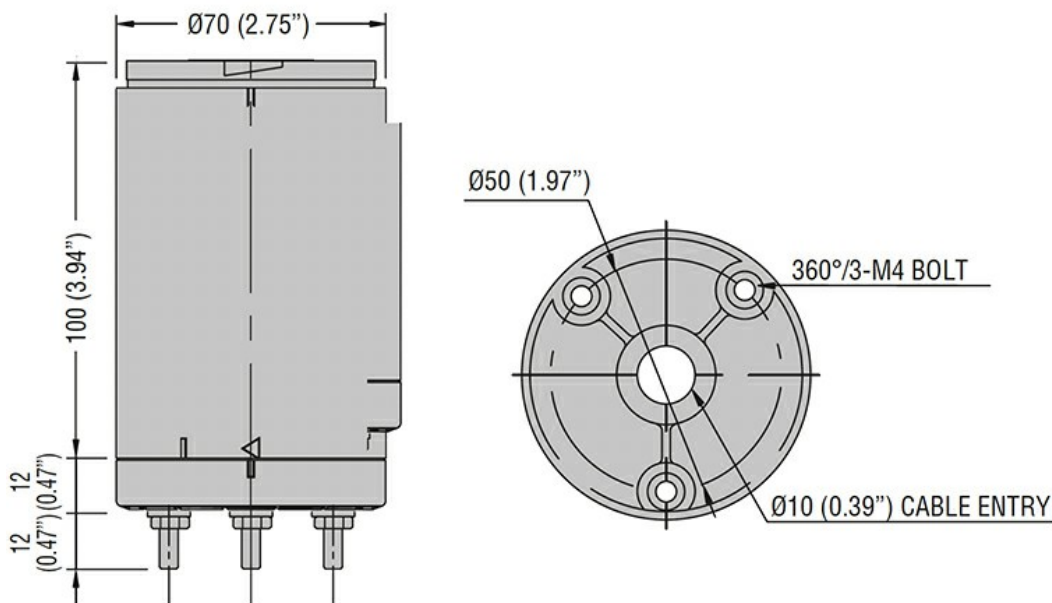
| | | | |
|-------------------|-----------|-----|----------------------|
| Conductor section | AWG/Kcmil | min | 16 |
| | | max | 24 |
| | IEC | min | mm ² 0.25 |
| | | max | mm ² 1.5 |

Weight g 170

Ambient conditions

| | | | | |
|-------------|-----------------------|-----|----|-----|
| Temperature | Operating temperature | min | °C | -30 |
| | | max | °C | +50 |

Dimensions



Certifications and compliance

| | |
|------------|-------------------|
| Compliance | CSA C22.2 n° 14 |
| | IEC/EN/BS 60947-1 |

IEC/EN/BS 60947-5-1

UL508

Certificates

cULus

ETIM classification

ETIM 8.0

EC001154 -
Stand for signal
tower without
tube