



Product designation

Signal tower  
Ø50mm/1.97"

Product type designation

LTN50

**General characteristics**

Diameter mm - inch 50 / 1.97

Material Plastic

**Mechanical features**

Weight g 32

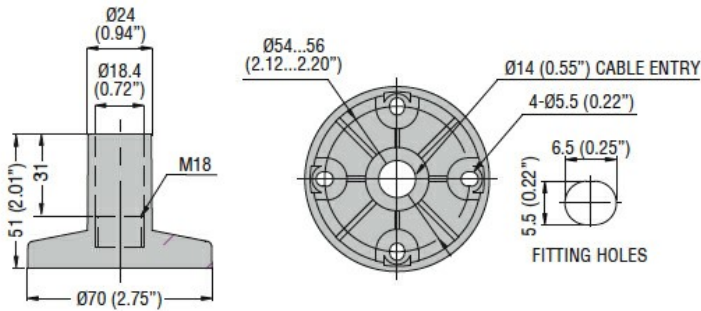
**Ambient conditions**

Temperature

Operating temperature

min	°C	-30
max	°C	+50

**Dimensions**



**Certifications and compliance**

Compliance

IEC/EN/BS 60947-1  
IEC/EN/BS 60947-5-1

**ETIM classification**

ETIM 8.0

EC001153 - Wall  
bracket for signal  
tower