



Product designation

Signal tower
Ø70mm/2.75"
8LT7S - Sound
modules

Product type designation

General characteristics

| | | |
|-------------------------------|-----------|-----------|
| Diameter | mm - inch | 70 / 2.75 |
| Supply voltage (AC) | V | 24 |
| Supply voltage (DC) | V | 24 |
| Colour | | Black |
| IEC degree of protection | | IP65 |
| Sound module consumption (AC) | mA | 200 |
| Sound module consumption (DC) | mA | 200 |
| Sound intensity | dB | 75 |

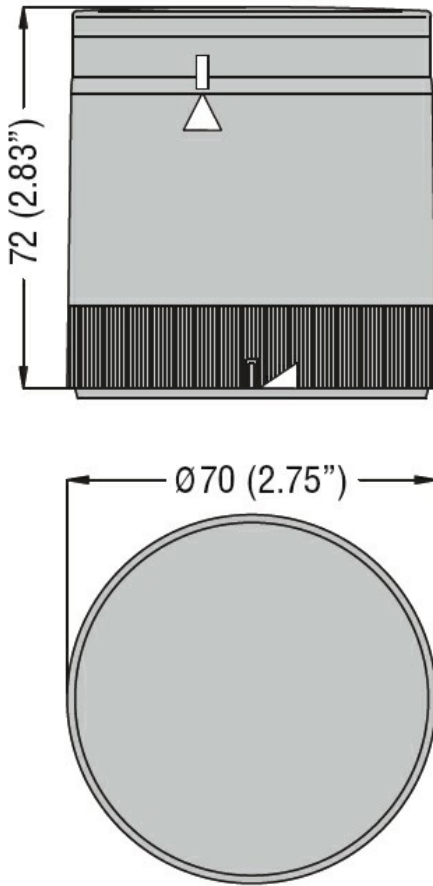
Mechanical features

| | | |
|-------------------------------------|-----|-----------------------|
| Tightening torque for terminals max | Nm | 0.5 |
| Terminals screw | | Screw clamp terminals |
| Conductor section | | |
| AWG/Kcmil | max | 16 |
| IEC | max | mm ² 1.5 |
| Weight | g | 240 |

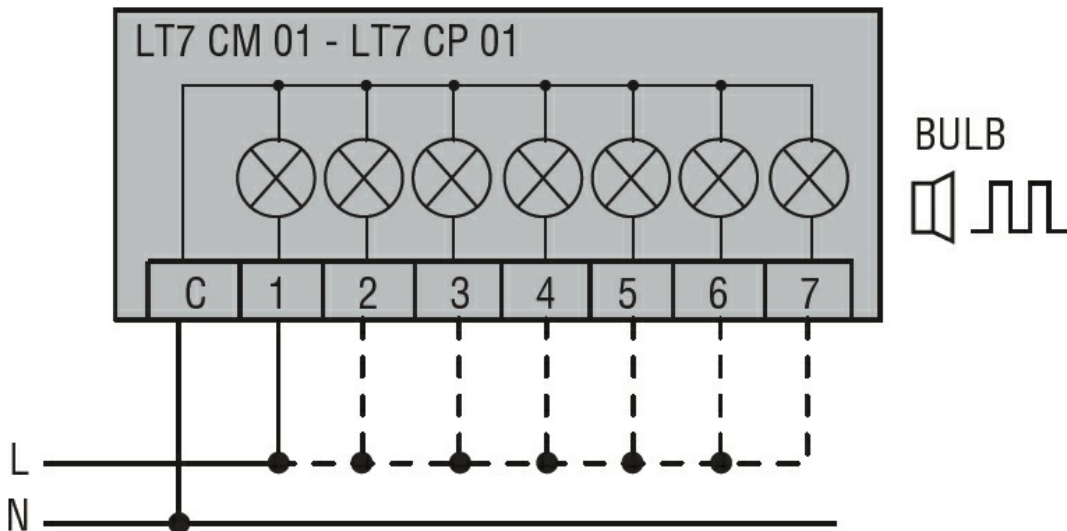
Ambient conditions

| | | | |
|-----------------------|-----|----|-----|
| Temperature | | | |
| Operating temperature | min | °C | -20 |
| | max | °C | +50 |

Dimensions



Wiring diagrams



Connect terminals C and 1 as indicated to power the first module. If other modules are fitted, the respective terminals must be connected accordingly.

Certifications and compliance

Compliance

- CSA C22.2 n°14
- IEC/EN 60947-1
- IEC/EN 60947-5-1
- UL508

Certificates

cULus

EAC

ETIM classification

ETIM 8.0

EC001261 -
Acoustic module
for signal tower