



Signal tower  
Ø70mm/2.75"  
8LT7S - Sound  
modules

Product designation

Product type designation

**General characteristics**

Diameter	mm - inch	70 / 2.75
Supply voltage (AC)	V	24
Supply voltage (DC)	V	24
Colour		Grey
IEC degree of protection		IP54
Sound module consumption (AC)	mA	25
Sound module consumption (DC)	mA	25
Sound intensity	dB	90

**Mechanical features**

Weight	g	240
--------	---	-----

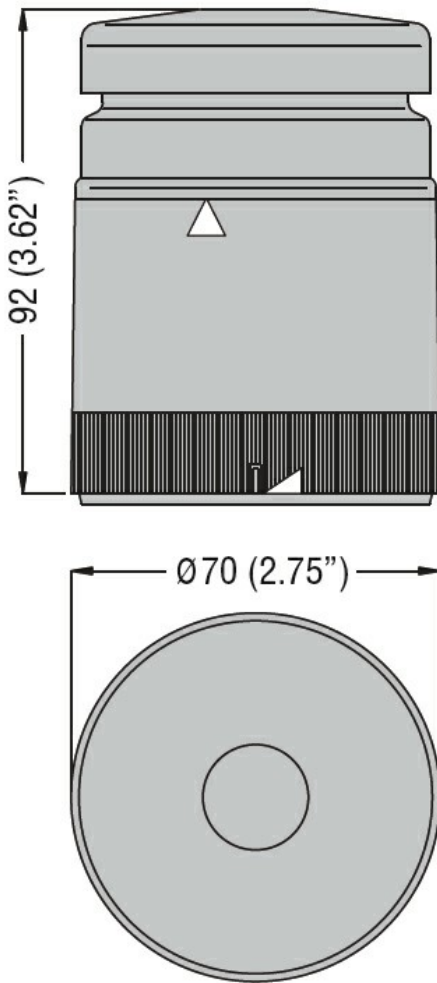
**Ambient conditions**

Temperature

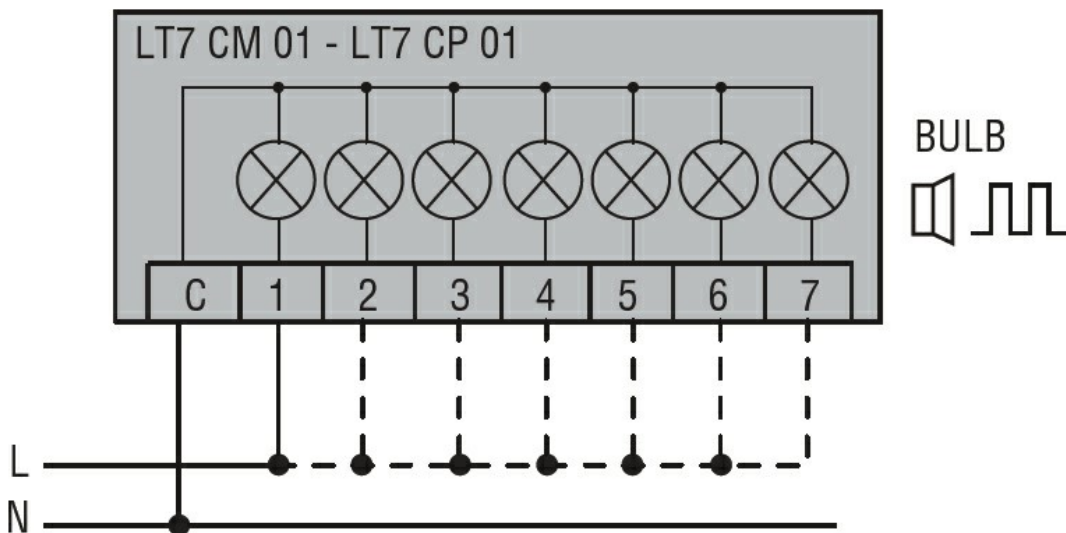
Operating temperature

min	°C	-20
max	°C	+50

**Dimensions**



Wiring diagrams



Connect terminals C and 1 as indicated to power the first module. If other modules are fitted, the respective terminals must be connected accordingly.

Certifications and compliance

Compliance

CSA C22.2 n°14

---

IEC/EN 60947-1

---

IEC/EN 60947-5-1

---

UL508

---

Certificates

---

cULus

---

EAC

---

ETIM classification

ETIM 8.0

EC001261 -  
Acoustic module  
for signal tower