



Product designation

Signal tower
Ø70mm/2.75"

Product type designation

8LT7C -
Connection
modules

General characteristics

Diameter	mm - inch	70 / 2.75
Colour		Grey
IEC degree of protection		IP65

Mechanical features

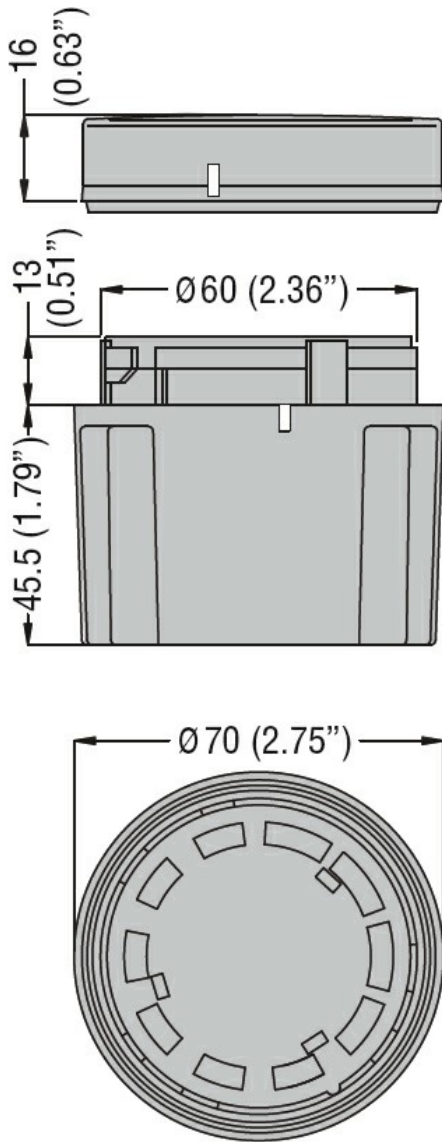
Tightening torque for terminals max	Nm	0.5
Terminals screw		Screw clamp terminals

Conductor section	AWG/Kcmil		
		max	16
	IEC		
		max	mm ² 1.5
Weight		g	110

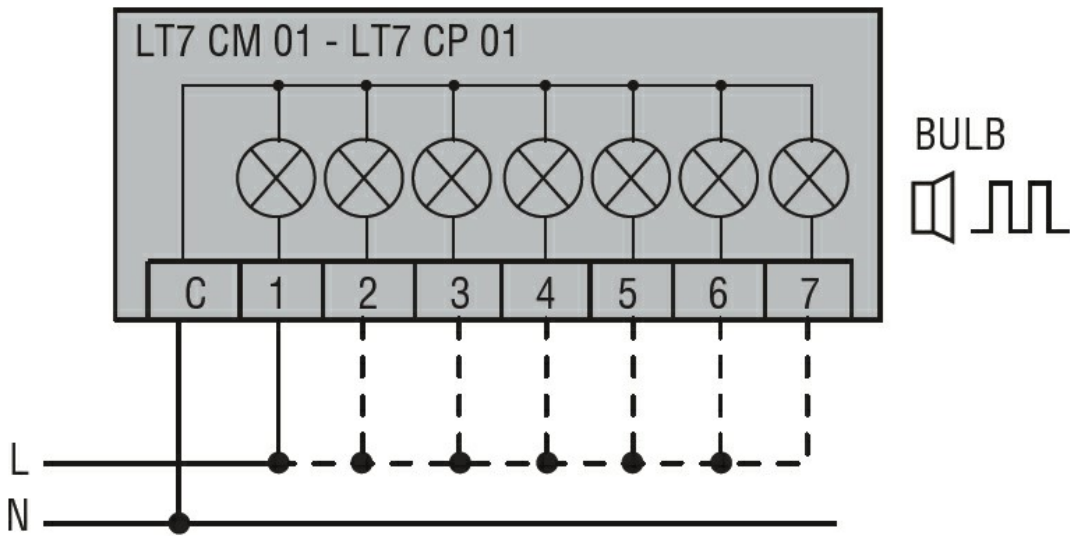
Ambient conditions

Temperature	Operating temperature		
		min	°C -20
		max	°C +50

Dimensions



Wiring diagrams



Connect terminals C and 1 as indicated to power the first module.
 If other modules are fitted, the respective terminals must be
 connected accordingly.

Certifications and compliance

Compliance

CSA C22.2 n°14
IEC/EN 60947-1
IEC/EN 60947-5-1
UL508

Certificates

cULus
EAC

ETIM classification

ETIM 8.0

EC001152 -
 Connection
 module for signal
 tower