



Fixing bases for
signal tower and
beacons -
Vertical wall
mount
8LT7BP02G

Product designation

Product type designation

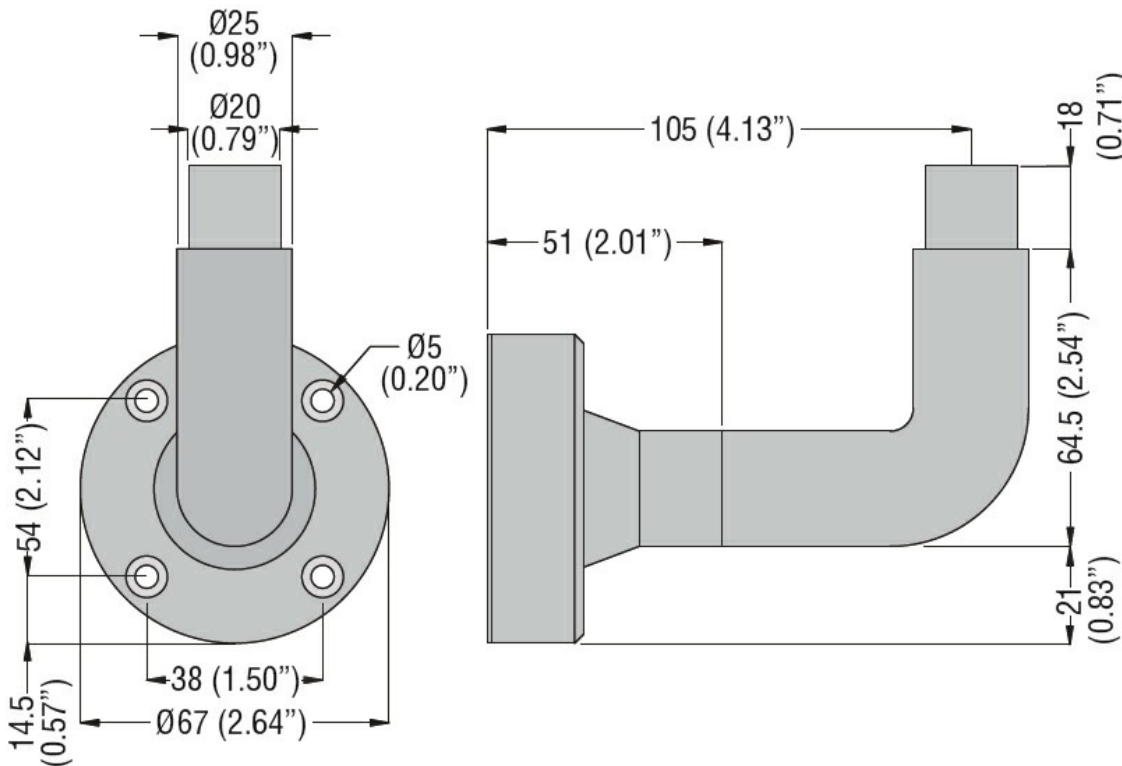
General characteristics

| | | |
|----------|-----------|-----------------------|
| Diameter | mm - inch | 62 / 2.44 - 70 / 2.75 |
| Colour | | Grey |
| Material | | Plastic |

Mechanical features

| | | |
|--------|---|----|
| Weight | g | 78 |
|--------|---|----|

Dimensions



Certifications and compliance

Compliance

/

Certificates

/

ETIM classification

ETIM 8.0

EC001153 - Wall
bracket for signal
tower