



Fixing bases for  
 signal tower and  
 beacons -  
 Horizontal  
 surface mount  
 8LT7BP01G

Product designation

Product type designation

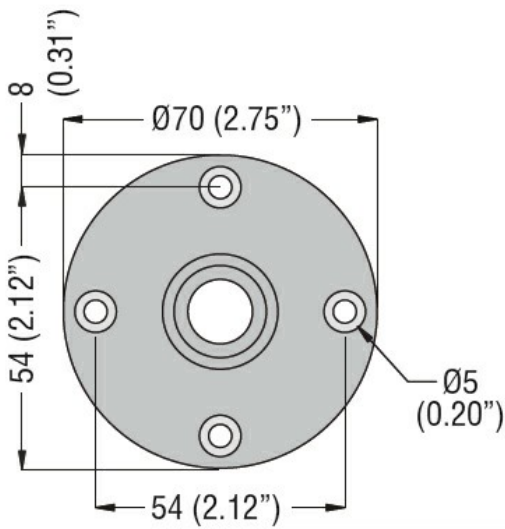
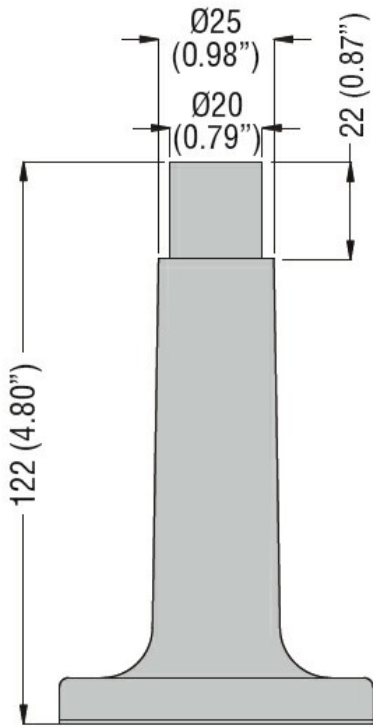
General characteristics

Diameter	mm - inch	62 / 2.44 - 70 / 2.75
Colour		Grey
Material		Plastic

Mechanical features

Weight	g	45
--------	---	----

Dimensions



**Certifications and compliance**

Compliance

/

Certificates

/

**ETIM classification**

ETIM 8.0

EC001259 -  
 Stand for signal  
 tower with tube