



Product designation

Fixing bases for
multicoloured
signal towers
70mm/2.75" and
signal towers
70mm/2.75" -
Horizontal
surface mount
8LT7BM01

Product type designation

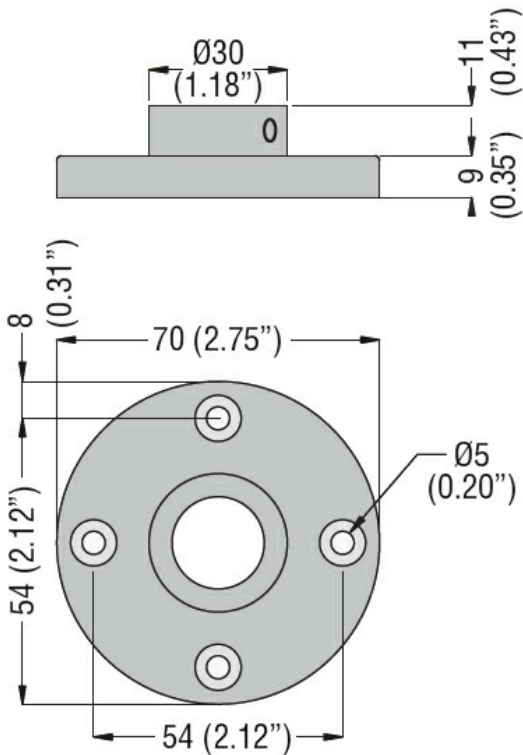
General characteristics

Diameter	mm - inch	70 / 2.75
Colour		Black
Material		Metal

Mechanical features

Weight	g	99
--------	---	----

Dimensions



Certifications and compliance

Compliance

/

Certificates

/

ETIM classification

ETIM 8.0

EC001259 -
Stand for signal
tower with tube