



Signal tower
Ø70mm/2.75"
8TL7

Product designation

Product type designation

General characteristics

Diameter	mm - inch	70 / 2.75
Supply voltage (DC)	V	24±10%
Colour		Blue, orange, red
IEC degree of protection		IP65
Light consumption per module (DC)	mA	90
Sound module consumption (DC)	mA	90
Sound intensity	dB	90

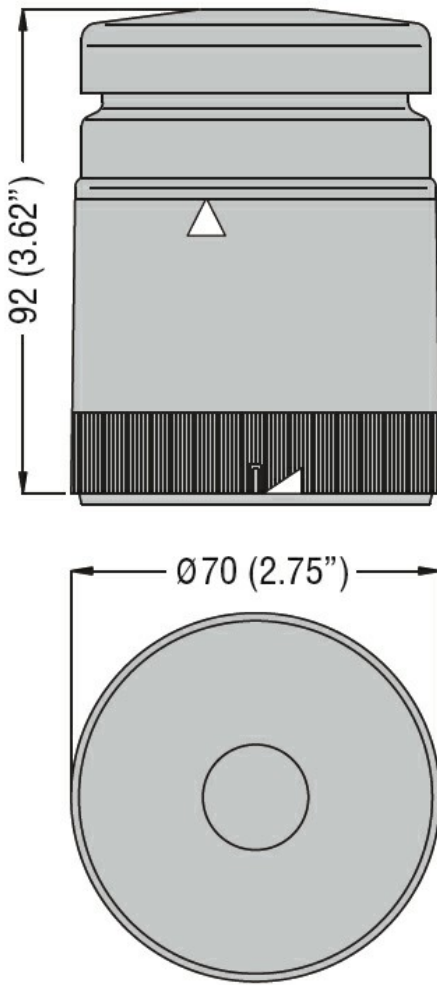
Mechanical features

Tightening torque for terminals max	Nm	0.5
Terminals screw		Screw clamp terminals
Conductor section		
AWG/Kcmil	max	16
IEC	max	mm ² 1.5
Weight	g	200

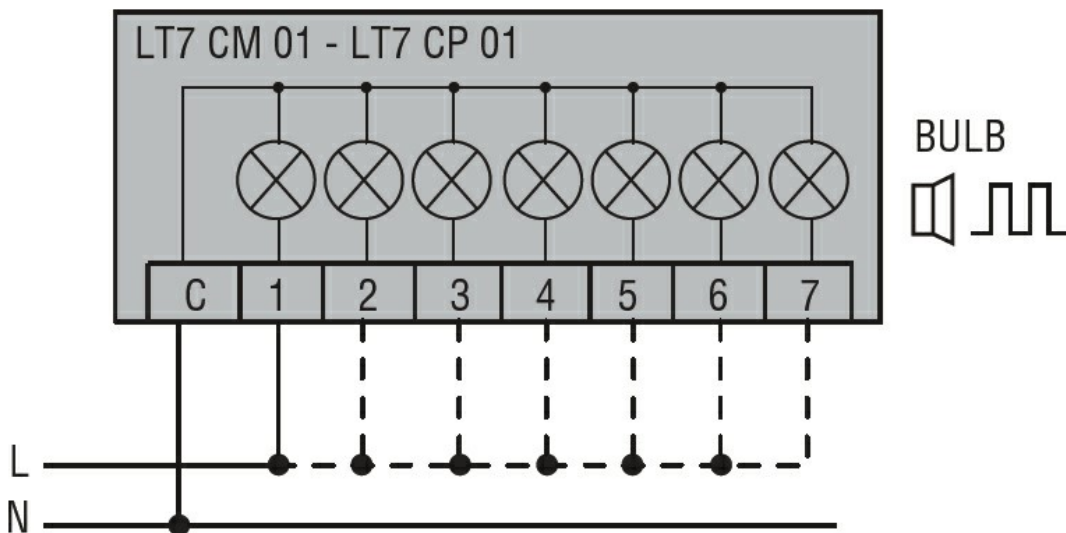
Ambient conditions

Temperature			
Operating temperature	min	°C	-20
	max	°C	+50

Dimensions



Wiring diagrams



Connect terminals C and 1 as indicated to power the first module. If other modules are fitted, the respective terminals must be connected accordingly.

Certifications and compliance

Compliance

CSA C22.2 n° 14

STEADY LIGHT MULTICOLORED LIGHT MODULE. Ø70MM. BUILT-IN LED CIRCUIT. BLUE, ORANGE, RED WITH CONTINUOUS OR PULSED SOUND, 24VDC

IEC/EN 60947-1

IEC/EN 60947-5-1

UL508

Certificates

cULus

EAC

ETIM classification

ETIM 8.0

EC000232 -
Optical module
for signal tower