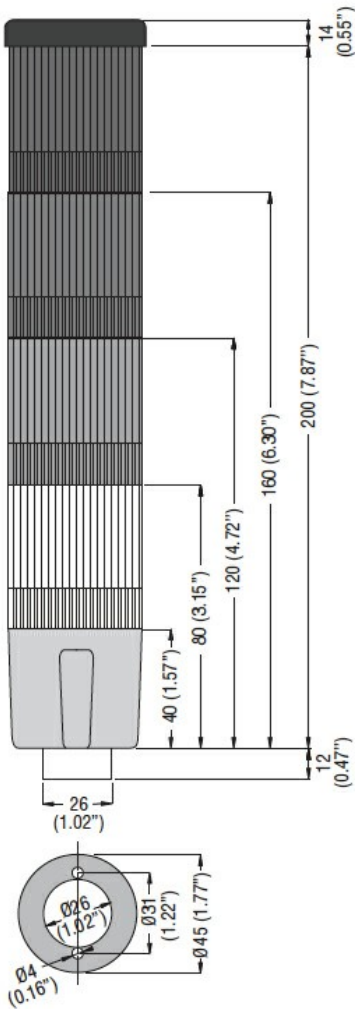
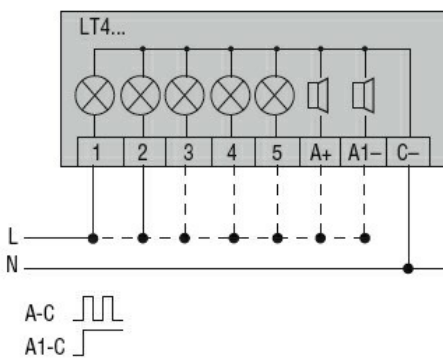




Product designation				Signal tower
Product type designation				Ø45mm/1.7"
				8TL4
General characteristics				
Diameter			mm - inch	45 / 1.77
Supply voltage (DC)			V	24±10%
Colour			Green, blue, orange, red	
IEC degree of protection			IP54	
Light consumption per module (DC)			mA	37
Mechanical features				
Tightening torque for terminals max			Nm	0.5
Terminals screw			Screw clamp terminals	
Conductor section	AWG/Kcmil			
			max	16
	IEC			
			max	mm ² 1.5
Weight			g	320
Ambient conditions				
Temperature	Operating temperature			
			min	°C -20
			max	°C +50
Dimensions				



Wiring diagrams



Certifications and compliance

Compliance

CSA C22.2 n° 14

IEC/EN 60947-1

IEC/EN 60947-5-1

UL508

Certificates

cULus

EAC

ETIM classification

ETIM 8.0

EC001042 -
Signal tower
complete