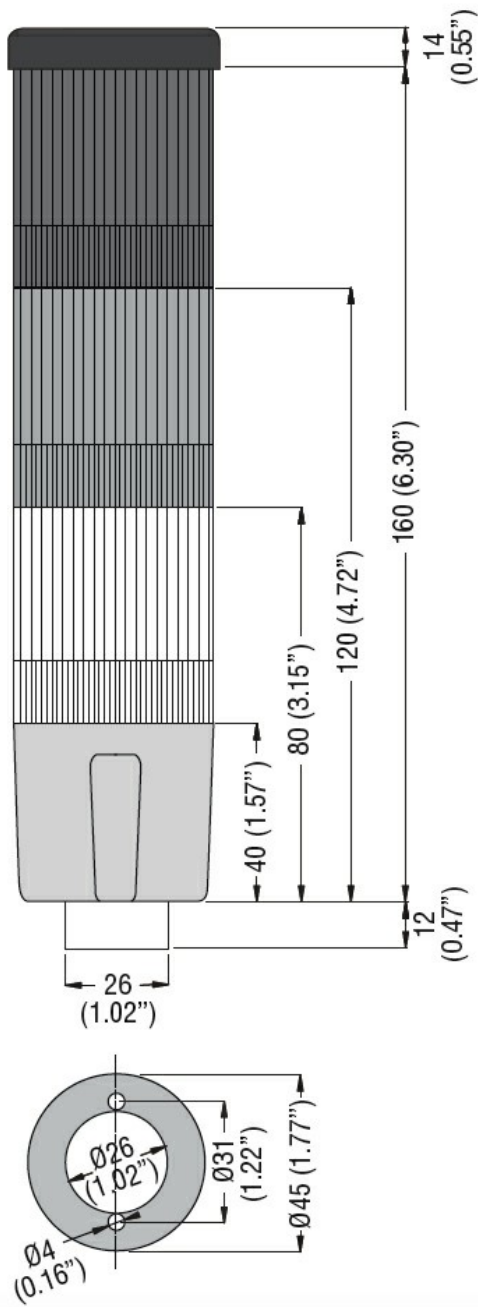
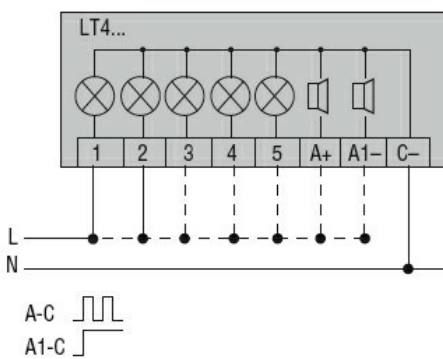




Product designation				Signal tower Ø45mm/1.7"
Product type designation				8TL4
<b>General characteristics</b>				
Diameter			mm - inch	45 / 1.77
Supply voltage (DC)			V	24±10%
Colour				Green, orange, red
IEC degree of protection				IP54
Light consumption per module (DC)			mA	37
<b>Mechanical features</b>				
Tightening torque for terminals max			Nm	0.5
Terminals screw				Screw clamp terminals
Conductor section	AWG/Kcmil			
		max		16
	IEC			
		max	mm <sup>2</sup>	1.5
Weight			g	240
<b>Ambient conditions</b>				
Temperature	Operating temperature			
		min	°C	-20
		max	°C	+50
<b>Dimensions</b>				



## Wiring diagrams



## Certifications and compliance

### Compliance

CSA C22.2 n° 14

IEC/EN 60947-1

IEC/EN 60947-5-1

UL508

Certificates

cULus

EAC

ETIM classification

ETIM 8.0

EC001042 -  
Signal tower  
complete