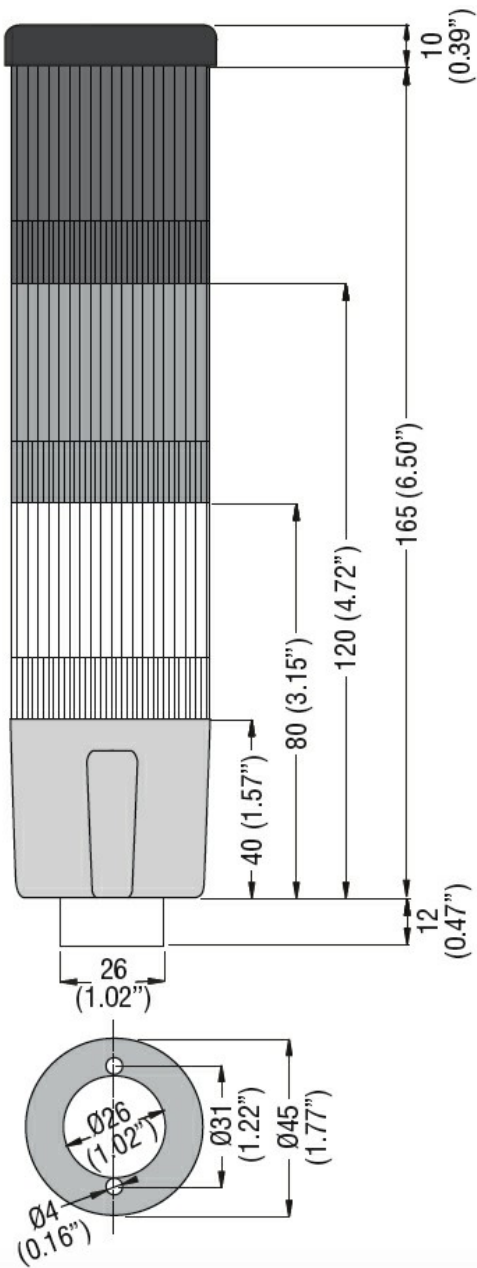
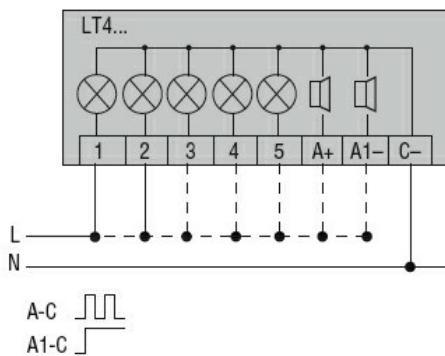




Product designation				Signal tower Ø45mm/1.7"
Product type designation				8TL4
General characteristics				
Diameter			mm - inch	45 / 1.77
Supply voltage (DC)			V	24±10%
Colour				Green, red
IEC degree of protection				IP54
Light consumption per module (DC)			mA	37
Sound module consumption (DC)			mA	15
Sound intensity			dB	80
Mechanical features				
Tightening torque for terminals max			Nm	0.5
Terminals screw				Screw clamp terminals
Conductor section	AWG/Kcmil			
			max	16
	IEC			
			max	mm ² 1.5
Weight			g	240
Ambient conditions				
Temperature	Operating temperature			
			min	°C -20
			max	°C +50
Dimensions				



Wiring diagrams



Certifications and compliance

Compliance

CSA C22.2 n° 14

IEC/EN 60947-1

IEC/EN 60947-5-1

UL508

Certificates

cULus

EAC

ETIM classification

ETIM 8.0

EC001042 -
Signal tower
complete