



Signal beacons  
Ø62mm/2.44"  
8LB6S

Product designation

Product type designation

**General characteristics**

Diameter	mm - inch	62 / 2.44
Supply voltage (AC)	V	24
Supply voltage (DC)	V	24
Colour		Yellow
IEC degree of protection		IP54
Sound module consumption (AC)	mA	150
Sound module consumption (DC)	mA	150
Sound intensity	dB	80

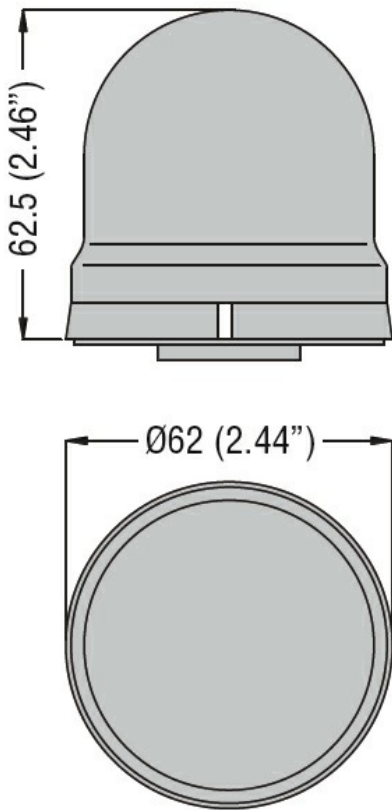
**Mechanical features**

Tightening torque for terminals max	Nm	0.5
Terminals screw		Screw clamp terminals
Conductor section		
AWG/Kcmil	max	16
IEC	max	mm <sup>2</sup> 1.5
Weight	g	60

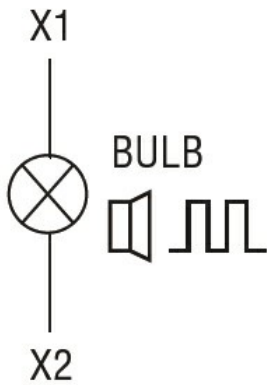
**Ambient conditions**

Temperature			
Operating temperature	min	°C	-20
	max	°C	+50

**Dimensions**



### Wiring diagrams



### Certifications and compliance

#### Compliance

IEC/EN 60947-1  
IEC/EN 60947-5-1

#### Certificates

EAC

### ETIM classification

ETIM 8.0

EC000232 -  
Optical module  
for signal tower