



Signal beacons
Ø62mm/2.44"
8LB6GL

Product designation

Product type designation

General characteristics

Diameter	mm - inch	62 / 2.44
Supply voltage (AC)	V	12...48
Supply voltage (DC)	V	12...48
Colour		White
IEC degree of protection		IP54

Mechanical features

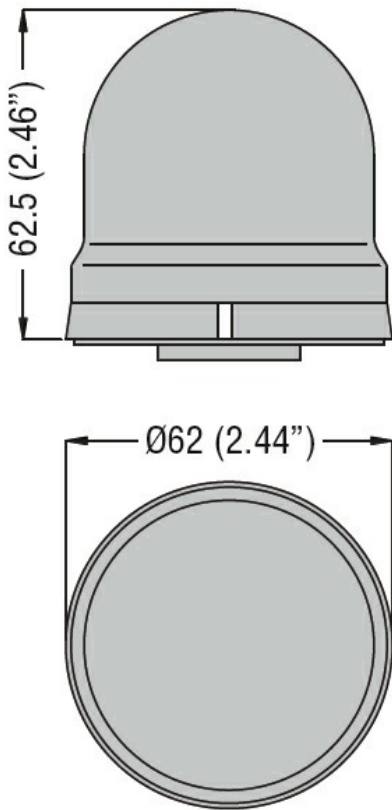
Tightening torque for terminals max	Nm	0.5
Terminals screw		Screw clamp terminals

Conductor section	AWG/Kcmil		
		max	16
	IEC		
		max	mm ² 1.5
Weight		g	60

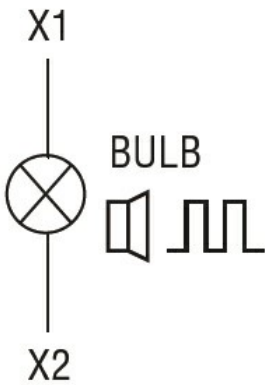
Ambient conditions

Temperature	Operating temperature	min	°C	-20
		max	°C	+50

Dimensions



Wiring diagrams



Certifications and compliance

Compliance

IEC/EN 60947-1
 IEC/EN 60947-5-1

Certificates

EAC

ETIM classification

ETIM 8.0

EC000232 -
 Optical module
 for signal tower