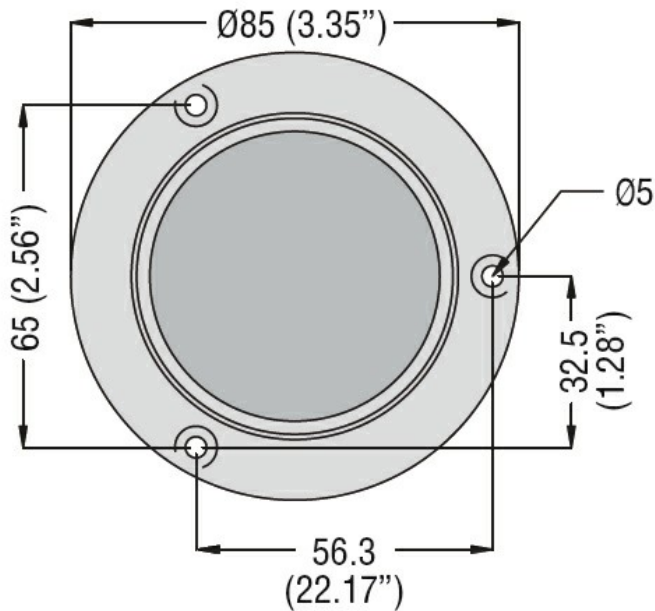
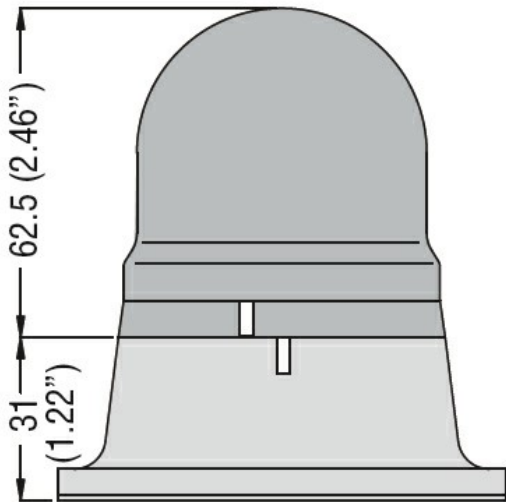




Product designation	Fixing bases for light signal beacons
Product type designation	Ø62mm/2.44"
	8LB6BP03
<b>General characteristics</b>	
Diameter	mm - inch 62 / 2.44
Colour	Black
Material	Plastic
<b>Mechanical features</b>	
Weight	g 40
<b>Dimensions</b>	



**Certifications and compliance**

Compliance

/

Certificates

/

**ETIM classification**

ETIM 8.0

EC001154 -  
 Stand for signal  
 tower without  
 tube