



Product designation

SSF

Product type designation

RFID safety  
sensor

**General characteristics**

**General characteristics**

Coding type

Generic

Switching distance

mm

10mm (X axis);  
5mm (Y axis);  
5mm (Z axis)

**Contact characteristics**

Type of contact

OSSD

**Auxiliary supply**

Nominal auxiliary voltage supply

24VDC

Operating range

V

19...28

Insulation voltage

kV

0.3

**Input characteristics**

Number of inputs

Nr.

2

Start/Restart inputs and EDM

nr.

1

**Output characteristics**

Number of safe OSSD outputs

nr.

2

Number of feedback outputs

Nr.

1

Output contacts ratings

300mA

**Safety parameters**

ISO 13849-1 security category

Cat. 4

ISO 13849-1 performance level

PLe

**Mechanical features**

Cable connection

M12 connector

Fixing

Both directions

Weight

g

44

**Ambient conditions**

Protection degree

IP67 and IP69K

Pollution degree

2

Temperature

Operating temperature

min

°C

-25

max

°C

+70

Storage temperature

min

°C

-25

max

°C

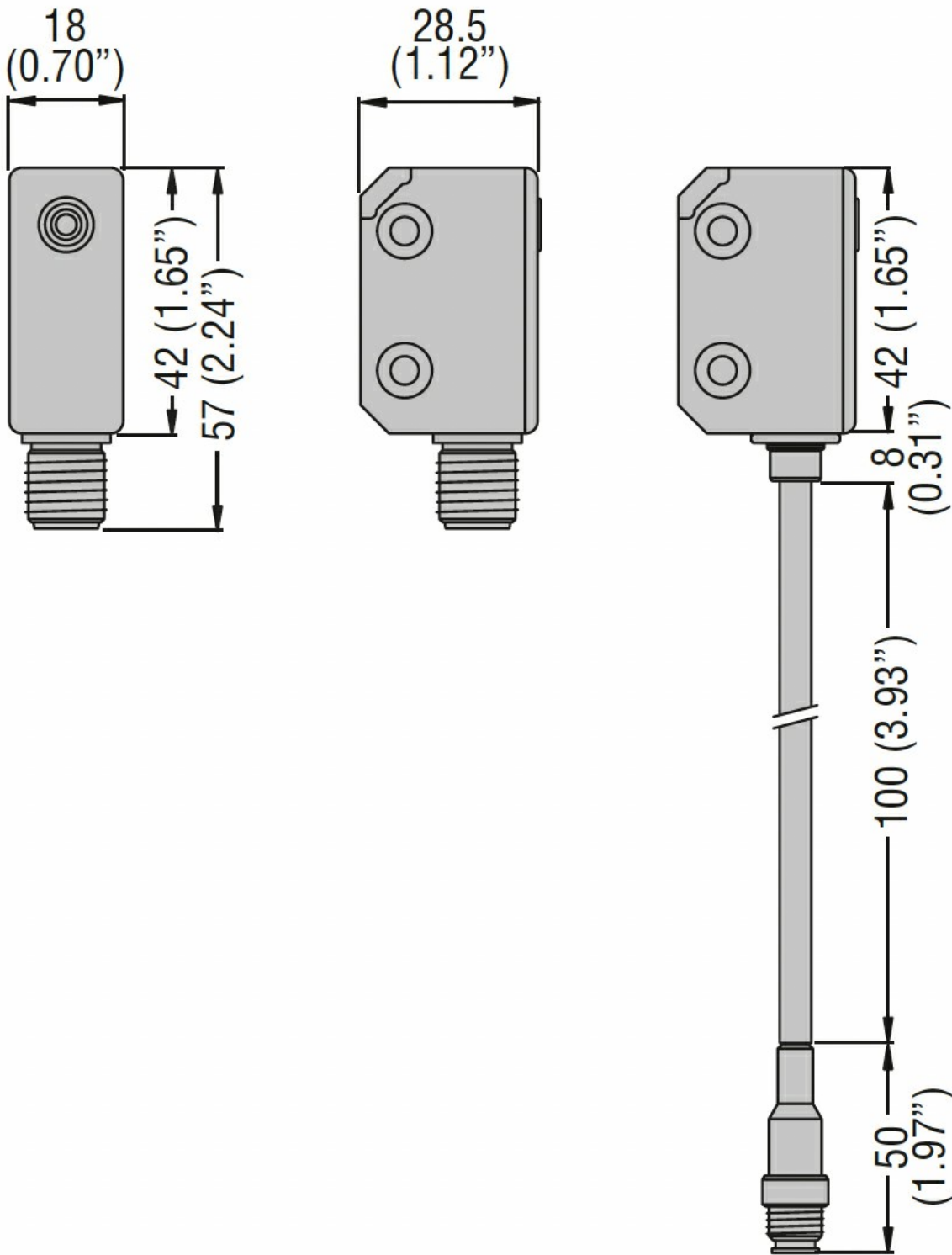
+70

Relative humidity

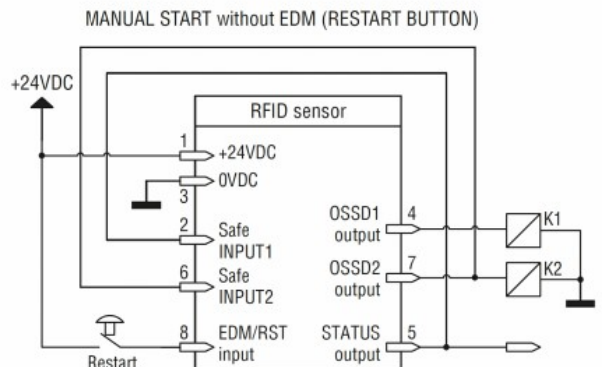
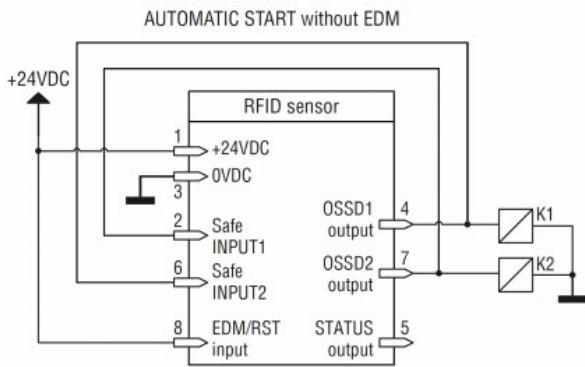
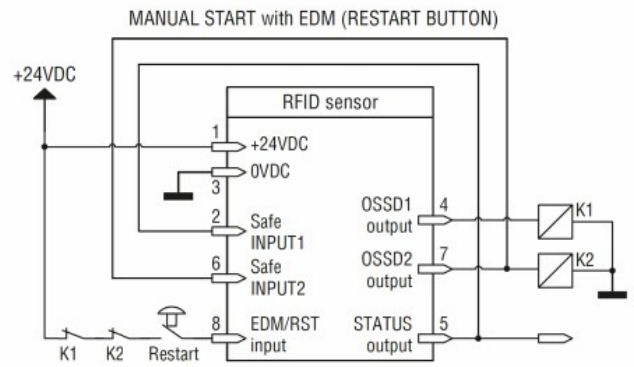
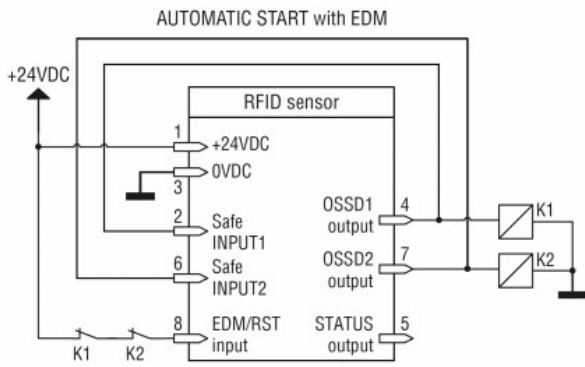
%

<90%

**Dimensions**



Wiring diagrams



**Certifications and compliance**

**Compliance**

- Cat. 4
- EN/BS 61508-1(SIL 3)
- EN/BS 61508-2 (SIL 3)
- EN/BS 61508-3 (SIL3)
- IEC/BS 62061 (max. SIL 3).
- PLe according to EN/BS 13849-1

**Certificates**

- cULus
- TÜV

**ETIM classification**

ETIM 8.0

EC001449 -  
Device for  
monitoring of  
safety-related  
circuits