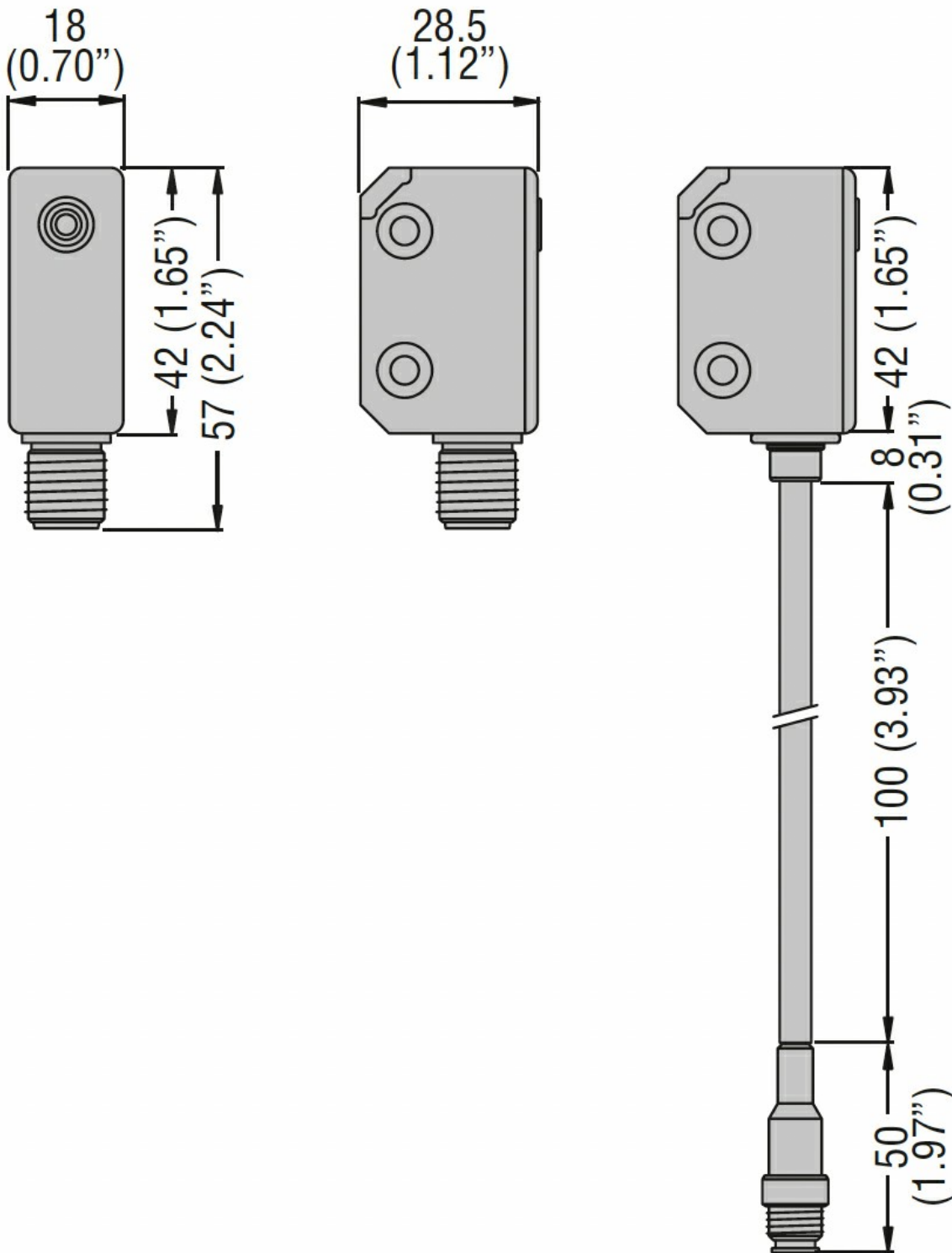


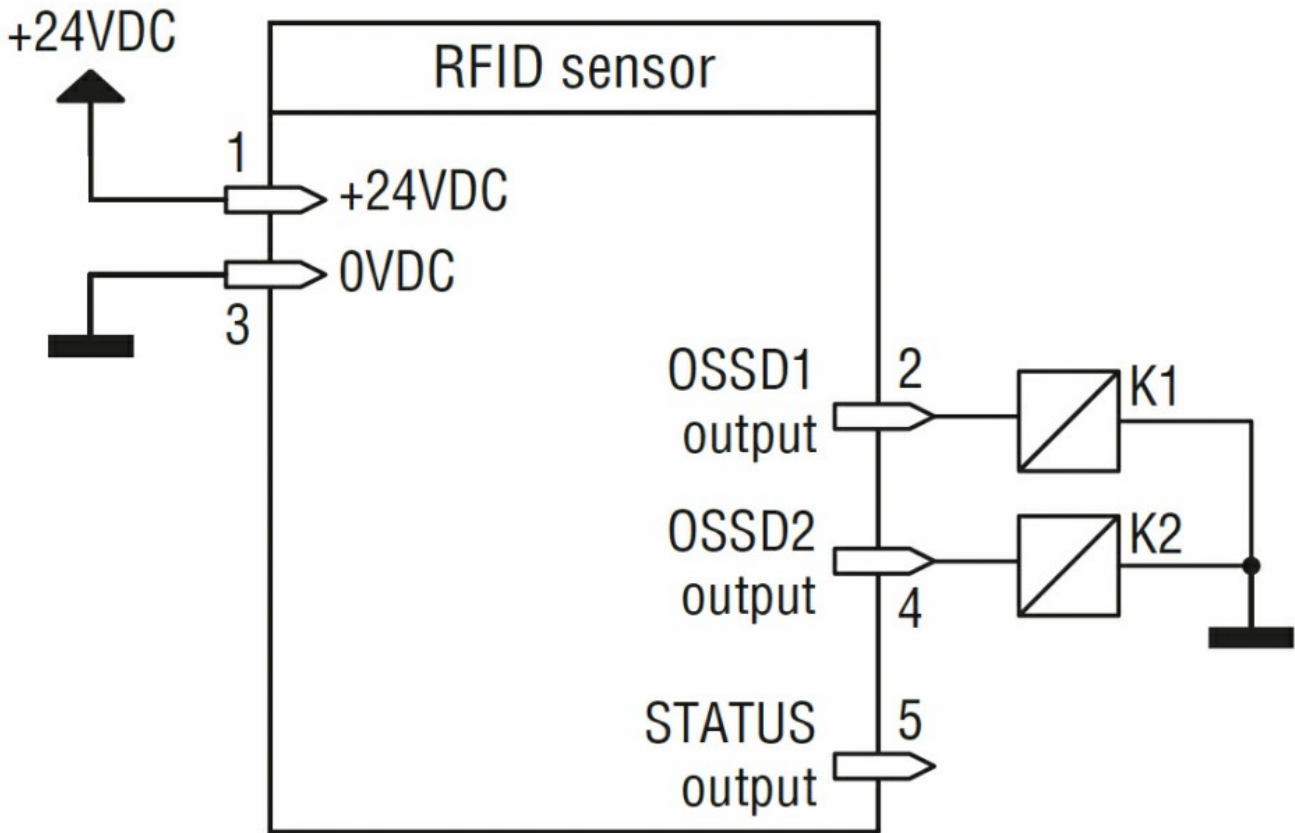


Product designation	SSF		
Product type designation	RFID safety sensor		
<b>General characteristics</b>			
<b>General characteristics</b>			
Coding type	Generic		
Switching distance	mm	10mm (X axis); 5mm (Y axis); 5mm (Z axis)	
<b>Contact characteristics</b>			
Type of contact	OSSD		
<b>Auxiliary supply</b>			
Nominal auxiliary voltage supply	24VDC		
Operating range	V	19...28	
Insulation voltage	kV	0.3	
<b>Input characteristics</b>			
Number of inputs	Nr.	2	
<b>Output characteristics</b>			
Number of safe OSSD outputs	nr.	2	
Number of feedback outputs	Nr.	1	
Output contacts ratings	300mA		
<b>Safety parameters</b>			
ISO 13849-1 security category	Cat. 4		
ISO 13849-1 performance level	PLe		
<b>Mechanical features</b>			
Cable connection	M12 Pigtail connector 15cm		
Fixing	Both directions		
Weight	g	56	
<b>Ambient conditions</b>			
Protection degree	IP67 and IP69K		
Pollution degree	2		
<b>Temperature</b>			
Operating temperature		min	°C -25
		max	°C +70
Storage temperature		min	°C -25
		max	°C +70
Relative humidity		%	<90%
<b>Dimensions</b>			



Wiring diagrams

## AUTOMATIC START



### Certifications and compliance

#### Compliance

Cat. 4

EN/BS 61508-1(SIL 3)

EN/BS 61508-2 (SIL 3)

EN/BS 61508-3 (SIL3)

IEC/BS 62061 (max. SIL 3).

PLe according to EN/BS 13849-1

#### Certificates

cULus

TÜV

### ETIM classification

ETIM 8.0

EC001449 -  
Device for  
monitoring of  
safety-related  
circuits