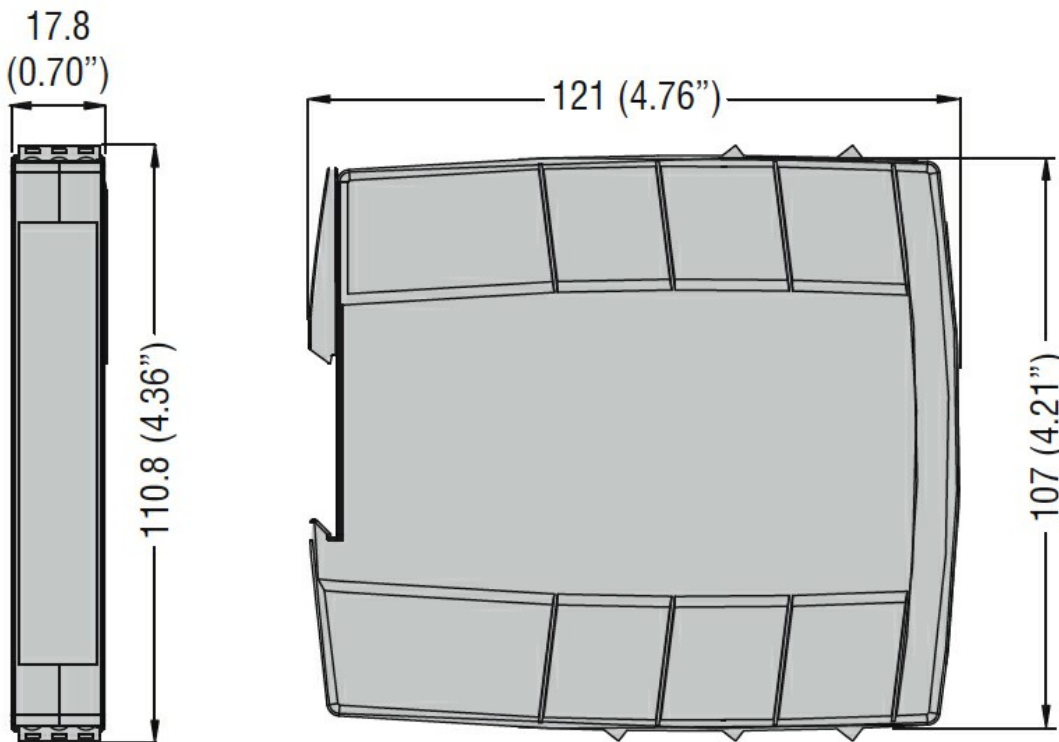




Product designation	SRB	
Product type designation	Single function	
General characteristics		
General characteristics		
Functions	Emergency stop	
Contact characteristics		
Type of contact	2NO	
Operations		
Mechanical life	cycles	>10 ⁷
Auxiliary supply		
Nominal auxiliary voltage supply	24VAC/DC	
Operating range	V	22...26VDC / 20.4...27.6VAC
Frequency range	Hz	50/60
Overvoltage category	III	
Insulation voltage	kV	4
Protections	Short circuit with PTC	
Input characteristics		
Number of inputs	Nr.	2
Resistance input circuit	kΩ	Max 1
Input current	mA	Typical 5
Output characteristics		
Number of safe outputs NO	Nr.	2
Number of safe outputs NC	Nr.	0
Number of feedback outputs	Nr.	0
Output type	Voltage free contacts, relays with forcibly guided contacts	
Output contacts ratings	AC1 250V: 6A-2000VA AC15 230V: 3A DC1 24V: 6A DC13 24V: 2.5A	
UL 508 ratings	Pilot duty: B300-R300	
Mechanical life	cycles	>10 ⁷
Electrical life AC1 at 360 commutations/h	cycles	10 ⁵
Safety parameters		
ISO 13849-1 security category	Cat. 4	
ISO 13849-1 performance level	PLe	
Mechanical features		
Cable connection	Removable screw terminal	
Fixing	35mm DIN rail	

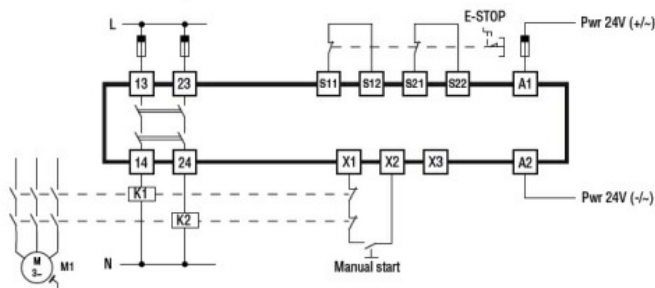
Weight	g 209		
Ambient conditions			
Protection degree	IP40 on front IP20 on terminals		
Pollution degree	2		
Temperature	Operating temperature		
	min	°C	-25
	max	°C	+60
	Storage temperature		
	min	°C	-30
	max	°C	+70
Relative humidity	% ≤95		

Dimensions

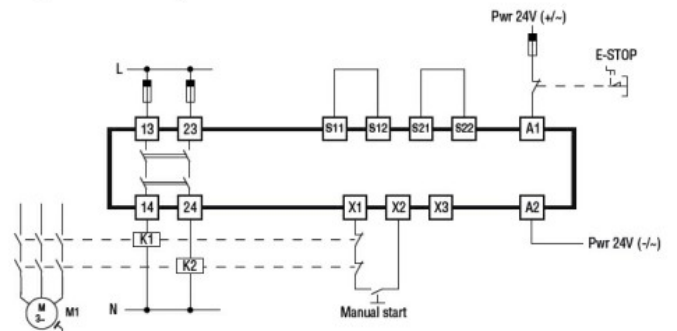


Wiring diagrams

Double channel mode, manual start



Single channel mode, manual start



Certifications and compliance

Compliance

EN/BS 13849-1

EN/BS 81-20

EN/BS 81-50

Certificates

cULus

TÜV

ETIM classification

ETIM 8.0

EC001449 -
Device for
monitoring of
safety-related
circuits