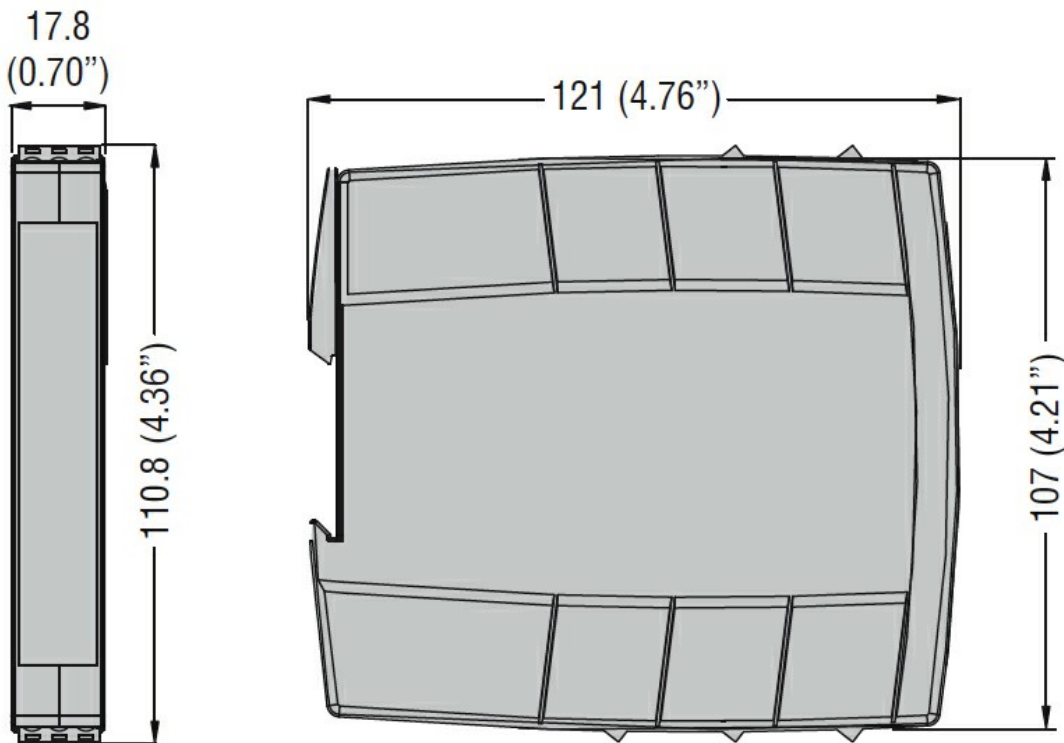




| | | |
|---|---|--------------------------------|
| Product designation | SRB | |
| Product type designation | Safe outputs expansion module | |
| General characteristics | | |
| General characteristics | | |
| Functions | Expansion module | |
| Contact characteristics | | |
| Type of contact | 4NO+1NC | |
| Operations | | |
| Mechanical life | cycles | >10 ⁷ |
| Auxiliary supply | | |
| Nominal auxiliary voltage supply | 24VAC/DC | |
| Operating range | V | 22...26VDC / 20.4...27.6VAC |
| Frequency range | Hz | 50/60 |
| Overvoltage category | III | |
| Insulation voltage | kV | 4 |
| Protections | Short circuit with PTC | |
| Input characteristics | | |
| Number of inputs | Nr. | 2 |
| Resistance input circuit | kΩ | Max 1 |
| Input current | mA | Typical 5 |
| Input voltage | 0-35VDC | |
| Output characteristics | | |
| Number of safe outputs NO | Nr. | 4 |
| Number of safe outputs NC | Nr. | 0 |
| Number of feedback outputs | Nr. | 1NC |
| Output type | Voltage free contacts, relays with forcibly guided contacts | |
| Output contacts ratings | AC1 250V: 6A-2000VA AC15 230V: 3A DC1 24V: 6A DC13 24V: 2.5A | |
| UL 508 ratings | Pilot duty: B300-R300 | |
| Mechanical life | cycles | >10 ⁷ |
| Electrical life AC1 at 360 commutations/h | cycles | 10 ⁵ |
| Safety parameters | | |
| ISO 13849-1 security category | Cat. 4 | |
| ISO 13849-1 performance level | PLe | |
| Mechanical features | | |

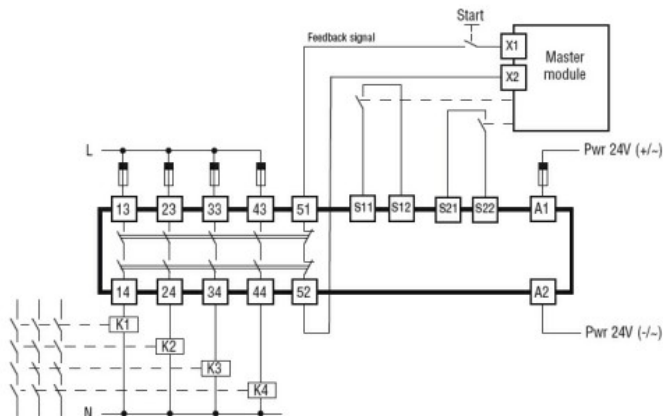
| | |
|---------------------------|------------------------------------|
| Cable connection | Removable screw terminal |
| Fixing | 35mm DIN rail |
| Weight | g 239 |
| Ambient conditions | |
| Protection degree | IP40 on front IP20 on terminals |
| Pollution degree | 2 |
| Temperature | |
| Operating temperature | min °C -25 max °C +60 |
| Storage temperature | min °C -30 max °C +70 |
| Relative humidity | % ≤95 |

Dimensions

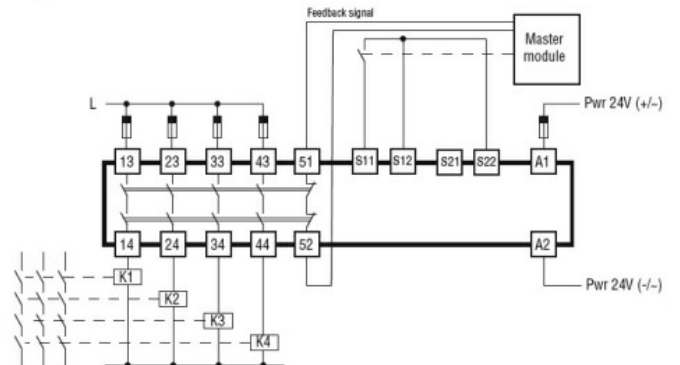


Wiring diagrams

Double channel mode



Single channel mode



Certifications and compliance

Compliance

EN/BS 13849-1

Certificates

cULus

TÜV

ETIM classification

ETIM 8.0

EC001449 -
Device for
monitoring of
safety-related
circuits