



Product designation	SRA	
Product type designation	Single function	
<b>General characteristics</b>		
<b>General characteristics</b>		
Functions	Devices OSSD	
<b>Contact characteristics</b>		
Type of contact	2NO	
<b>Operations</b>		
Mechanical life	cycles	>10 <sup>7</sup>
<b>Auxiliary supply</b>		
Nominal auxiliary voltage supply	24VDC	
Operating range	V	22...26VDC / 20.4...27.6VAC
Overvoltage category	III	
Insulation voltage	kV	4
<b>Input characteristics</b>		
Number of inputs	Nr.	2
Input current	mA	Typical 4.3
Input voltage	0-30VDC	
<b>Output characteristics</b>		
Number of safe outputs NO	Nr.	2
Number of safe outputs NC	Nr.	0
Number of feedback outputs	Nr.	0
Output type	Relays with forcibly guided contacts	
Output contacts ratings	AC1 250V: 6A- 2000VA AC15 230V: 5A DC13 24V: 2A	
UL 508 ratings	Pilot duty: B300- Q300	
Mechanical life	cycles	>10 <sup>7</sup>
Electrical life AC1 at 360 commutations/h	cycles	10 <sup>5</sup>
<b>Safety parameters</b>		
ISO 13849-1 security category	Cat. 4	
ISO 13849-1 performance level	PLe	
<b>Mechanical features</b>		
Fixing	35mm DIN rail	
Weight	g	150
<b>Ambient conditions</b>		
Protection degree	IP40 on front IP20 on terminals	
Pollution degree	2	
Temperature	Operating temperature	

min	°C	-25
max	°C	+55

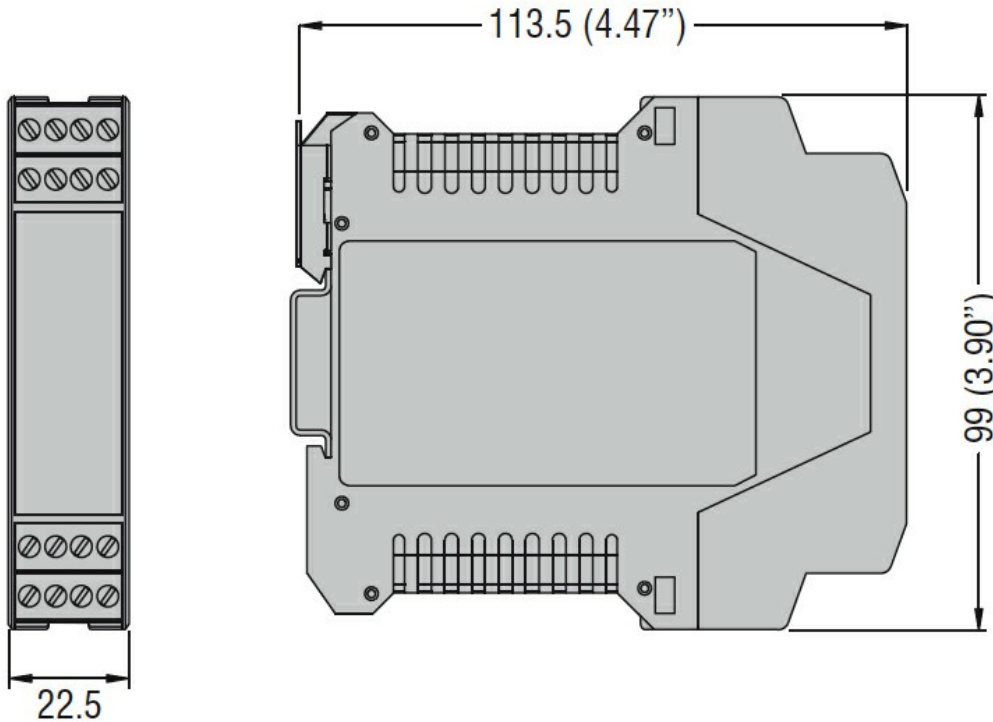
Storage temperature

min	°C	-30
max	°C	+70

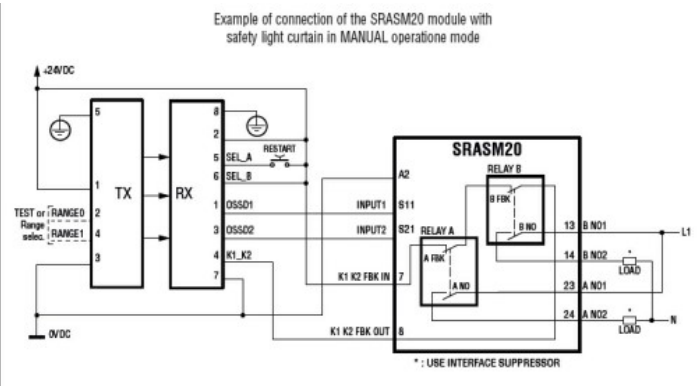
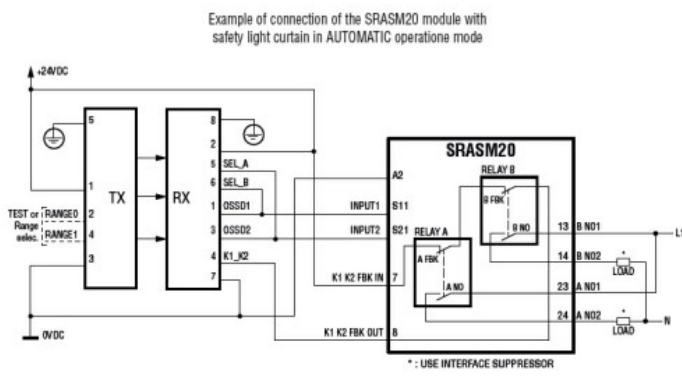
Relative humidity

%	≤95
---	-----

**Dimensions**



**Wiring diagrams**



**Certifications and compliance**

Compliance

EN/BS 62061  
EN/ISO/BS 13849-1

Certificates

cULus  
TÜV

**ETIM classification**

ETIM 8.0

EC001449 -  
Device for  
monitoring of  
safety-related  
circuits