



Product designation	Rope-pull lever with reset button		
Product type designation	RS131310		
General characteristics			
General characteristics			
Housing Material	Polymer thermoplastic		
Contact characteristics			
Type of contact	1NO+1NC		
Thermal current I _{th}	A	10	
Rated insulation voltage U _i	V	250	
Short-circuit protection with fuse	Class/A	10 gG/SC QUICK FUSE	
IEC Conventional free air thermal current I _{th}	A	10	
Resistance per pole (average value)	mΩ	<10	
Operations			
Mechanical life	cycles	100000	
Mechanical operation	cycles/h	1800	
Output characteristics			
Mechanical life	cycles	100000	
Mechanical features			
Operating head fixing	Screwed		
Operating torque	N	25	
	l _b	5.6	
Tightening torque (Max)			
Switch fixing	Nm	2.5	
	l _{bin}	22.1	
Contact terminals	Nm	0.8	
	l _{bin}	7	
Body lid screw fixing	Nm	0.8	
	l _{bin}	7	
Conductor section			
AWG/Kcmil	max	14	
IEC	min	mm ²	1 or 2
	max	mm ²	2.5
Cable connection	Self-releasing screw terminal		
Cable entry	PG11		
Weight	g	92	
Ambient conditions			

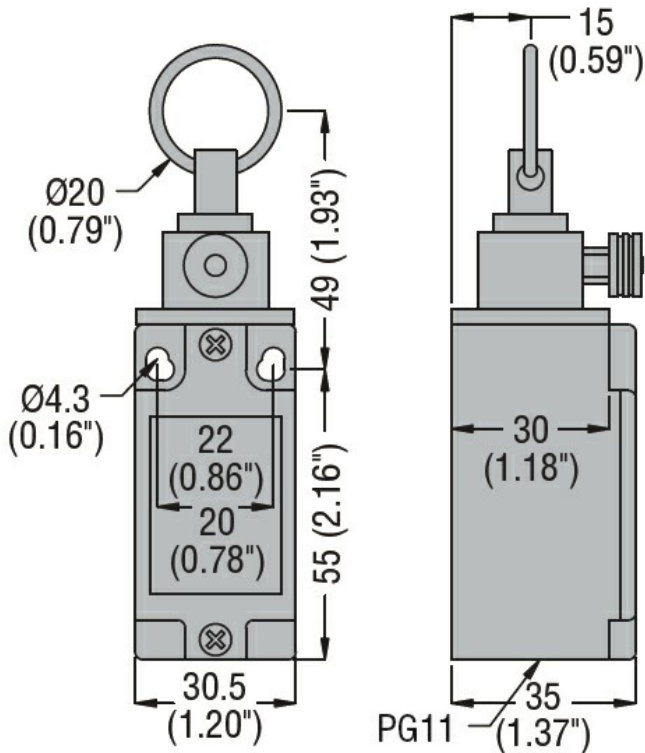
Pollution degree 3

Temperature

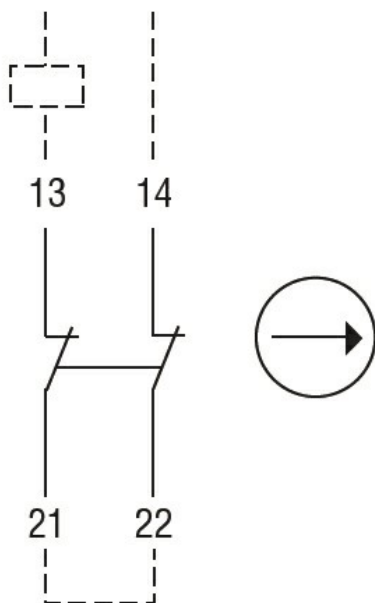
Operating temperature		min	°C	-25
		max	°C	+70

Storage temperature		min	°C	-40
		max	°C	+70

Dimensions



Wiring diagrams



Certifications and compliance

Compliance

CSA C22.2 n° 14

IEC/EN 60204-1

IEC/EN 60947-1

IEC/EN 60947-5-1

ISO 13850; UL508

Certificates

cULus

EAC

ETIM classification

ETIM 8.0

EC000030 - End
switch