



Product designation				Slotted lever
Product type designation				KMQ
General characteristics				
General characteristics				
Housing Material				Aluminium-zinc alloy
Contact characteristics				
Type of contact				2NO+1NC Slow action
Thermal current I _{th}	A			10
IEC/EN 60947-5-1 designation				A300 Q300
Rated insulation voltage U _i	V			440
Rated impulse withstand voltage U _{imp}	kV			4
Short-circuit protection with fuse	Class/A			10 gG/SC QUICK FUSE
Switching speed		min	m/s	0.5
		max	m/s	1.5
IEC Conventional free air thermal current I _{th}	A			10
Resistance per pole (average value)	mΩ			<10
Operations				
Mechanical life		cycles		100000
B10d		cycles		100000
Mechanical operation		cycles/h		3600
Output characteristics				
Mechanical life		cycles		100000
Mechanical features				
Operating head fixing				Locking bayonet insert
Operating torque		Ncm		15
		ozin		21.2
Tightening torque (Max)				
Switch fixing		Nm		2.5
		lbin		22.1
Contact terminals		Nm		0.8
		lbin		7
Body lid screw fixing		Nm		0.8
		lbin		7
Conductor section	AWG/Kcmil			
		min		16
		max		14

IEC

min	mm ²	1 or 2
max	mm ²	2.5

Cable connection

Self-releasing screw terminal

Cable entry

M20 on the bottom

Ambient conditions

Pollution degree

3

Temperature

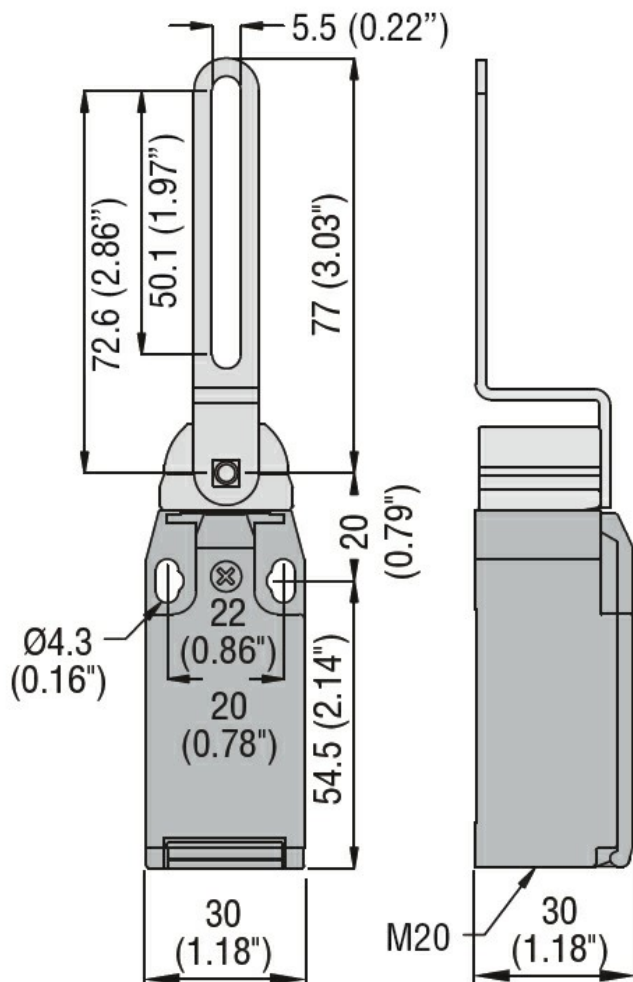
Operating temperature

min	°C	-25
max	°C	+70

Storage temperature

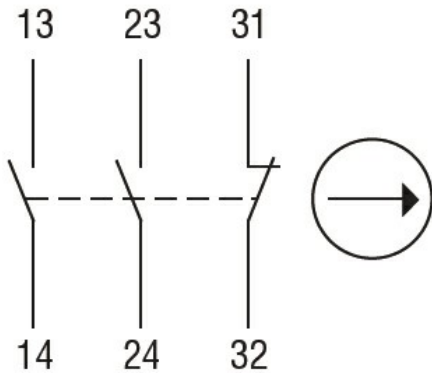
min	°C	-40
max	°C	+70

Dimensions



Wiring diagrams

Slow action



2NO + 1NC

Certifications and compliance

Compliance

CSA C22.2 n° 14

EN 50047

IEC/EN 60204-1

IEC/EN 60947-1

IEC/EN 60947-5-1

UL508

Certificates

CCC

cULus

EAC

ETIM classification

ETIM 8.0

EC000030 - End switch