

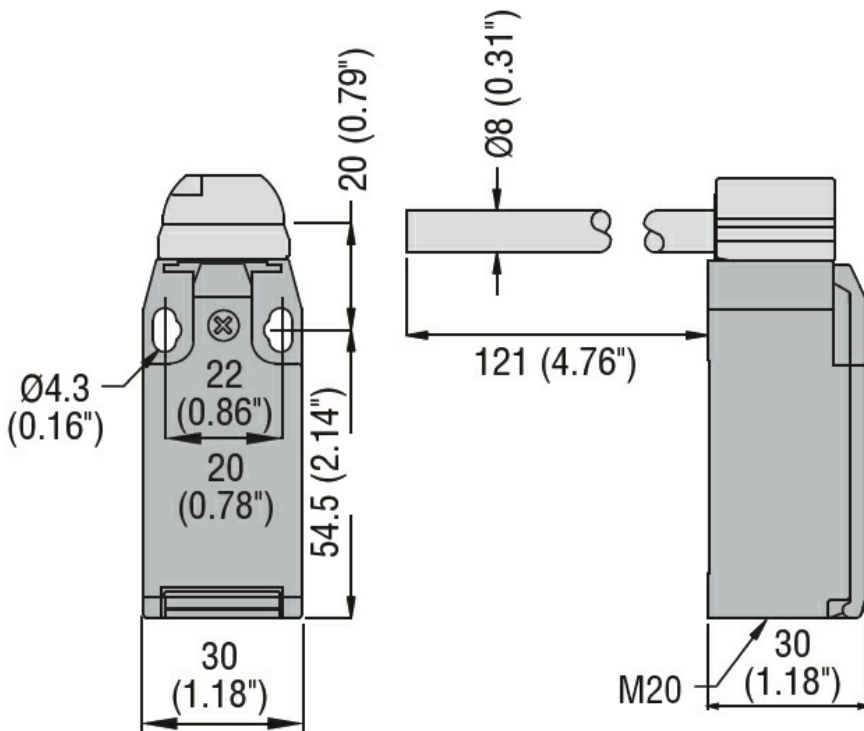


| | | | |
|---|------------------------|---------------------|-----|
| Product designation | Hinge operating | | |
| Product type designation | KMP | | |
| General characteristics | | | |
| General characteristics | | | |
| Housing Material | Aluminium-zinc alloy | | |
| Rod material | Long solid | | |
| Contact characteristics | | | |
| Type of contact | 2NO+1NC Slow action | | |
| Thermal current I _{th} | A | 10 | |
| IEC/EN 60947-5-1 designation | A300 Q300 | | |
| Rated insulation voltage U _i | V | 440 | |
| Rated impulse withstand voltage U _{imp} | kV | 4 | |
| Short-circuit protection with fuse | Class/A | 10 gG/SC QUICK FUSE | |
| Switching speed | min | m/s | 0.5 |
| | max | m/s | 1.5 |
| IEC Conventional free air thermal current I _{th} | A | 10 | |
| Resistance per pole (average value) | mΩ | <10 | |
| Operations | | | |
| Mechanical life | cycles | 100000 | |
| B10d | cycles | 100000 | |
| Mechanical operation | cycles/h | 3600 | |
| Output characteristics | | | |
| Mechanical life | cycles | 100000 | |
| Mechanical features | | | |
| Operating head fixing | Locking bayonet insert | | |
| Operating torque | Ncm | 15 | |
| | ozin | 21.2 | |
| Tightening torque (Max) | | | |
| Switch fixing | Nm | 2.5 | |
| | lbin | 22.1 | |
| Contact terminals | Nm | 0.8 | |
| | lbin | 7 | |
| Body lid screw fixing | Nm | 0.8 | |
| | lbin | 7 | |
| Conductor section | AWG/Kcmil | | |

LIMIT SWITCH, K SERIES, HINGE OPERATING, 1 BOTTOM CABLE ENTRY. DIMENSIONS TO EN 50047, METAL BODY, CONTACTS 2NO+1NC SLOW ACTION. LONG SOLID SHAFT

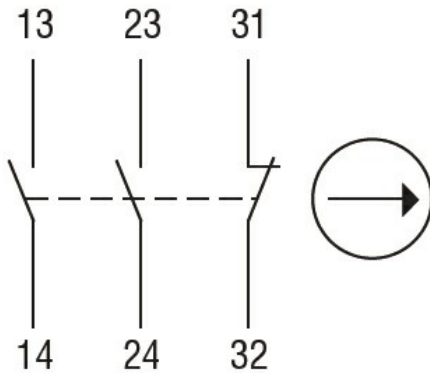
| | | | |
|---------------------------|-------------------------------|-----------------|--------|
| | min | 16 | |
| | max | 14 | |
| IEC | | | |
| | min | mm ² | 1 or 2 |
| | max | mm ² | 2.5 |
| Cable connection | Self-releasing screw terminal | | |
| Cable entry | M20 on the bottom | | |
| Ambient conditions | | | |
| Pollution degree | 3 | | |
| Temperature | | | |
| Operating temperature | | | |
| | min | °C | -25 |
| | max | °C | +70 |
| Storage temperature | | | |
| | min | °C | -40 |
| | max | °C | +70 |

Dimensions



Wiring diagrams

Slow action



2NO + 1NC

Certifications and compliance

Compliance

CSA C22.2 n° 14

EN 50047

IEC/EN 60204-1

IEC/EN 60947-1

IEC/EN 60947-5-1

UL508

Certificates

CCC

cULus

EAC

ETIM classification

ETIM 8.0

EC000030 - End switch