

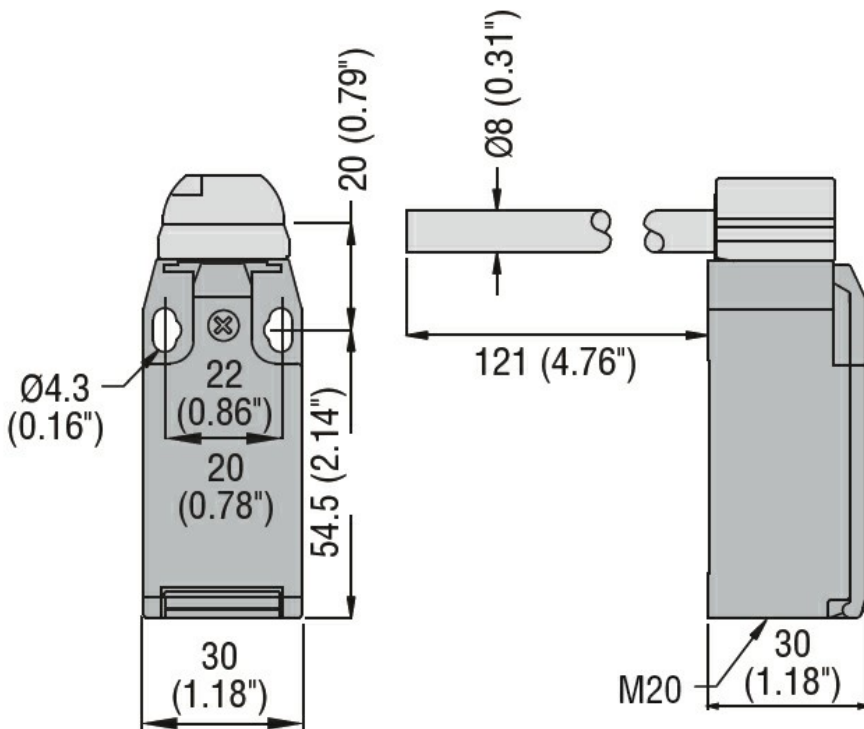


Product designation				Hinge operating
Product type designation				KMP
General characteristics				
General characteristics				
Housing Material				Aluminium-zinc alloy
Rod material				Long solid
Contact characteristics				
Type of contact				1NO+1NC Slow action
Thermal current I _{th}	A			10
IEC/EN 60947-5-1 designation				A300 Q300
Rated insulation voltage U _i	V			440
Rated impulse withstand voltage U _{imp}	kV			4
Short-circuit protection with fuse	Class/A			10 gG/SC QUICK FUSE
Switching speed		min	m/s	0.5
		max	m/s	1.5
IEC Conventional free air thermal current I _{th}	A			10
Resistance per pole (average value)	mΩ			<10
Operations				
Mechanical life		cycles	100000	
B10d		cycles	100000	
Mechanical operation		cycles/h	3600	
Output characteristics				
Mechanical life		cycles	100000	
Mechanical features				
Operating head fixing				Locking bayonet insert
Operating torque		Ncm	15	
		ozin	21.2	
Tightening torque (Max)				
Switch fixing		Nm	2.5	
		lbin	22.1	
Contact terminals		Nm	0.8	
		lbin	7	
Body lid screw fixing		Nm	0.8	
		lbin	7	
Conductor section	AWG/Kcmil			

LIMIT SWITCH, K SERIES, HINGE OPERATING, 1 BOTTOM CABLE ENTRY. DIMENSIONS TO EN 50047, METAL BODY, CONTACTS 1NO+1NC SLOW ACTION. LONG SOLID SHAFT

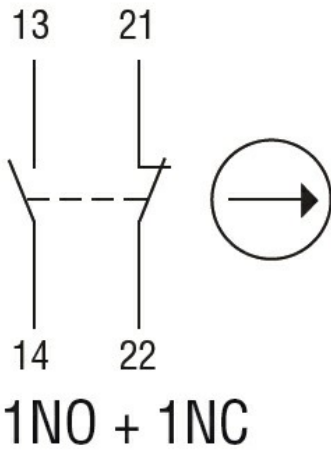
	min	16	
	max	14	
IEC			
	min	mm ²	1 or 2
	max	mm ²	2.5
Cable connection	Self-releasing screw terminal		
Cable entry	M20 on the bottom		
Ambient conditions			
Pollution degree	3		
Temperature			
Operating temperature			
	min	°C	-25
	max	°C	+70
Storage temperature			
	min	°C	-40
	max	°C	+70

Dimensions



Wiring diagrams

Slow action



Certifications and compliance

Compliance

CSA C22.2 n° 14

EN 50047

IEC/EN 60204-1

IEC/EN 60947-1

IEC/EN 60947-5-1

UL508

Certificates

CCC

cULus

EAC

ETIM classification

ETIM 8.0

EC000030 - End switch