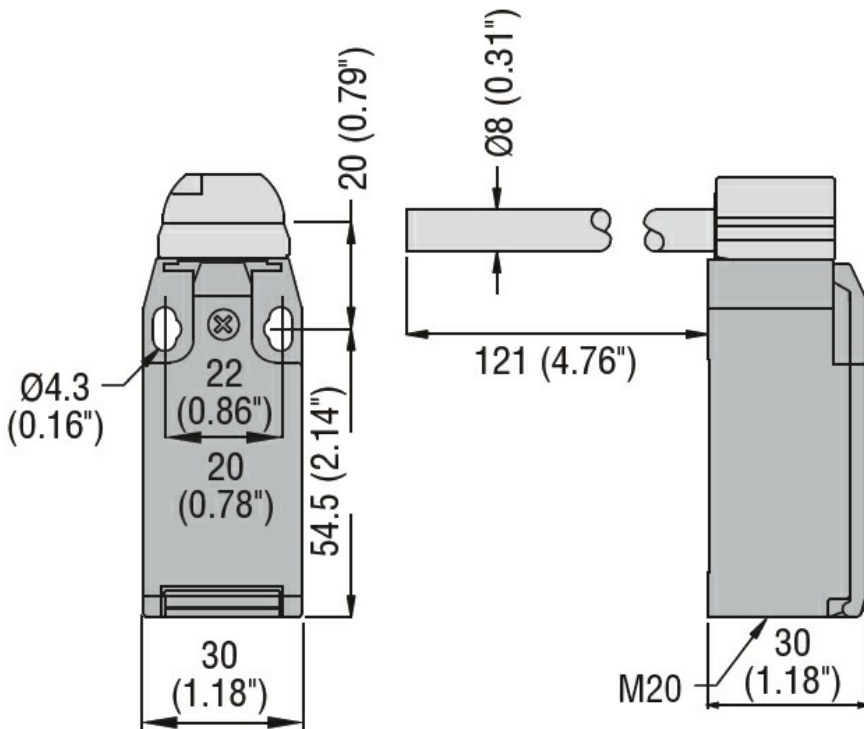




Product designation	Hinge operating		
Product type designation	KMP		
General characteristics			
General characteristics			
Housing Material	Aluminium-zinc alloy		
Rod material	Long solid		
Contact characteristics			
Type of contact	2NC Slow action		
Thermal current I _{th}	A	10	
IEC/EN 60947-5-1 designation	A300 Q300		
Rated insulation voltage U _i	V	440	
Rated impulse withstand voltage U _{imp}	kV	4	
Short-circuit protection with fuse	Class/A	10 gG/SC QUICK FUSE	
Switching speed	min	m/s	0.5
	max	m/s	1.5
IEC Conventional free air thermal current I _{th}	A	10	
Resistance per pole (average value)	mΩ	<10	
Operations			
Mechanical life	cycles	100000	
B10d	cycles	100000	
Mechanical operation	cycles/h	3600	
Output characteristics			
Mechanical life	cycles	100000	
Mechanical features			
Operating head fixing	Locking bayonet insert		
Operating torque	Ncm	15	
	ozin	21.2	
Tightening torque (Max)			
Switch fixing	Nm	2.5	
	lbin	22.1	
Contact terminals	Nm	0.8	
	lbin	7	
Body lid screw fixing	Nm	0.8	
	lbin	7	
Conductor section			
AWG/Kcmil	min	16	

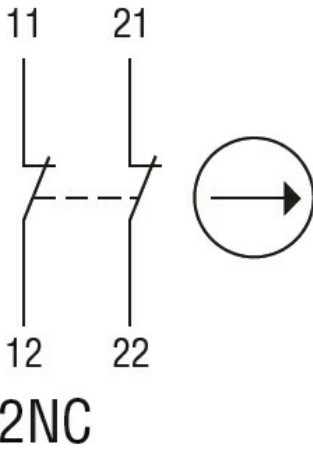
		max	14
IEC		min	mm ² 1 or 2
		max	mm ² 2.5
Cable connection			Self-releasing screw terminal
Cable entry			M20 on the bottom
Ambient conditions			
Pollution degree			3
Temperature			
	Operating temperature	min	°C -25
		max	°C +70
	Storage temperature	min	°C -40
		max	°C +70

Dimensions



Wiring diagrams

Slow action



Certifications and compliance

Compliance

CSA C22.2 n° 14
 EN 50047
 IEC/EN 60204-1
 IEC/EN 60947-1
 IEC/EN 60947-5-1
 UL508

Certificates

CCC
 cULus
 EAC

ETIM classification

ETIM 8.0

EC000030 - End switch