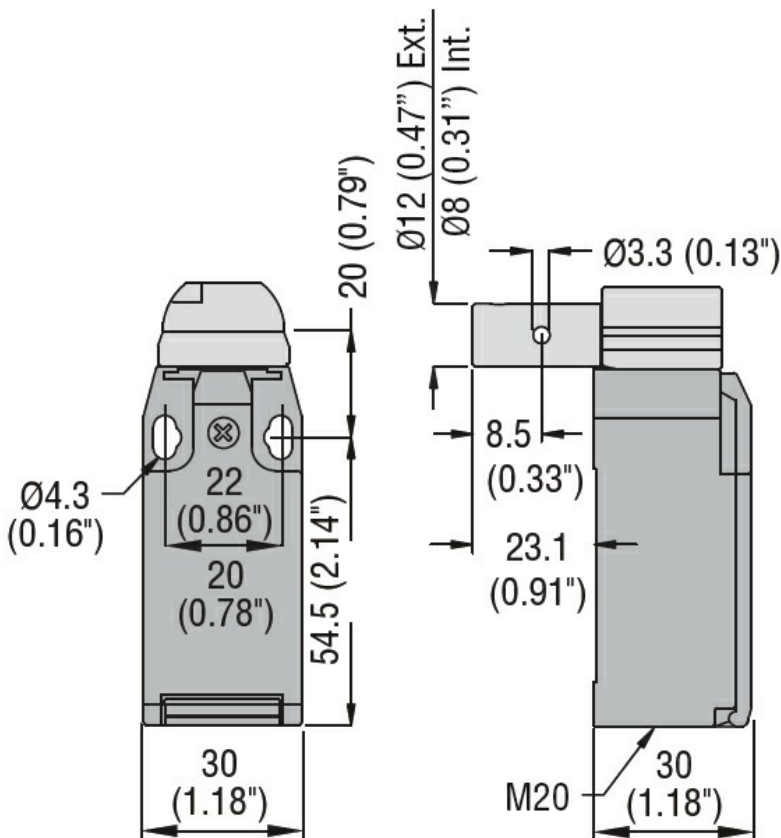




|   |                        |                        |     |
|---|------------------------|------------------------|-----|
| Product designation                                       | Hinge operating        |                        |     |
| Product type designation                                  | KMP                    |                        |     |
| <b>General characteristics</b>                            |                        |                        |     |
| <b>General characteristics</b>                            |                        |                        |     |
| Housing Material  | Aluminium-zinc alloy   |                        |     |
| Rod material  | Short cylinder hinge   |                        |     |
| <b>Contact characteristics</b>                            |                        |                        |     |
| Type of contact   | 3NC Slow action        |                        |     |
| Thermal current I <sub>th</sub>                           | A                      | 10                     |     |
| IEC/EN 60947-5-1 designation                              | A300 Q300              |                        |     |
| Rated insulation voltage U <sub>i</sub>                   | V                      | 440                    |     |
| Rated impulse withstand voltage U <sub>imp</sub>          | kV                     | 4                      |     |
| Short-circuit protection with fuse                        | Class/A                | 10 gG/SC<br>QUICK FUSE |     |
| Switching speed   | min                    | m/s                    | 0.5 |
|   | max                    | m/s                    | 1.5 |
| IEC Conventional free air thermal current I <sub>th</sub> | A                      | 10                     |     |
| Resistance per pole (average value)                       | mΩ                     | <10                    |     |
| <b>Operations</b>   |                        |                        |     |
| Mechanical life   | cycles                 | 100000                 |     |
| B10d  | cycles                 | 100000                 |     |
| Mechanical operation                                      | cycles/h               | 3600                   |     |
| <b>Output characteristics</b>                             |                        |                        |     |
| Mechanical life   | cycles                 | 100000                 |     |
| <b>Mechanical features</b>                                |                        |                        |     |
| Operating head fixing                                     | Locking bayonet insert |                        |     |
| Operating torque  | Ncm                    | 15                     |     |
|   | ozin                   | 21.2                   |     |
| Tightening torque (Max)                                   |                        |                        |     |
| Switch fixing   | Nm                     | 2.5                    |     |
|   | lbin                   | 22.1                   |     |
| Contact terminals   | Nm                     | 0.8                    |     |
|   | lbin                   | 7                      |     |
| Body lid screw fixing                                     | Nm                     | 0.8                    |     |
|   | lbin                   | 7                      |     |
| Conductor section   | AWG/Kcmil              |                        |     |

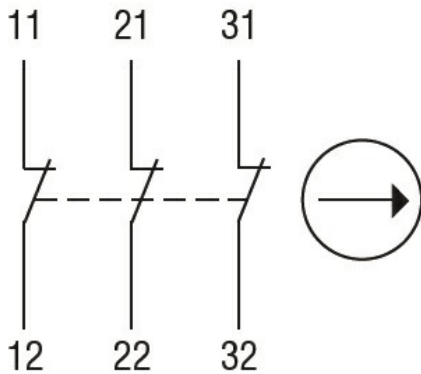
|                           |                               |                 |        |
|---------------------------|-------------------------------|-----------------|--------|
|                           | min                           | 16              |        |
|                           | max                           | 14              |        |
| IEC                       |                               |                 |        |
|                           | min                           | mm <sup>2</sup> | 1 or 2 |
|                           | max                           | mm <sup>2</sup> | 2.5    |
| Cable connection          | Self-releasing screw terminal |                 |        |
| Cable entry               | M20 on the bottom             |                 |        |
| <b>Ambient conditions</b> |                               |                 |        |
| Pollution degree          | 3                             |                 |        |
| <b>Temperature</b>        |                               |                 |        |
| Operating temperature     |                               |                 |        |
|                           | min                           | °C              | -25    |
|                           | max                           | °C              | +70    |
| Storage temperature       |                               |                 |        |
|                           | min                           | °C              | -40    |
|                           | max                           | °C              | +70    |

**Dimensions**



**Wiring diagrams**

## Slow action



## 3NC

### Certifications and compliance

#### Compliance

CSA C22.2 n° 14

EN 50047

IEC/EN 60204-1

IEC/EN 60947-1

IEC/EN 60947-5-1

UL508

#### Certificates

CCC

cULus

EAC

### ETIM classification

ETIM 8.0

EC000030 - End switch