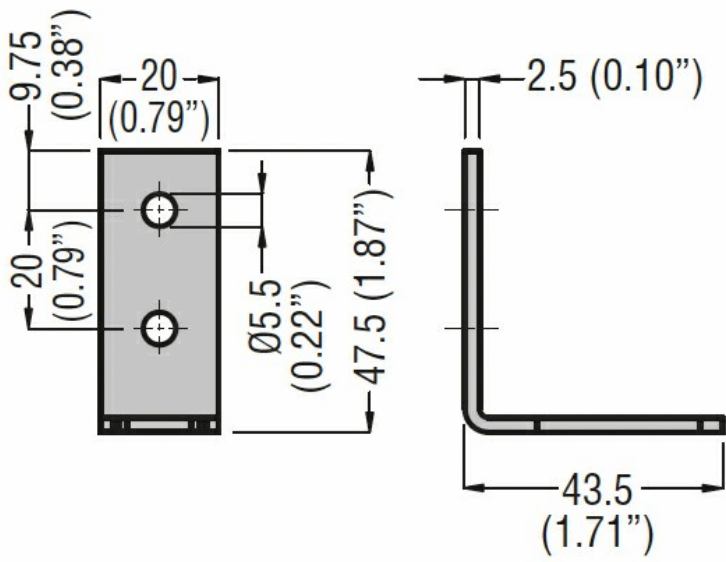




Product type designation	KEXN2
General characteristics	
General characteristics	
Key shape	Angled
Mechanical features	
Weight	g 13
Dimensions	



Certifications and compliance

Compliance	CSA C22.2 n°14
	IEC/EN 60204
	IEC/EN 60947-1
	IEC/EN 60947-5-1
	UL508
	UNI EN ISO 14119

Certificates	cULus
	EAC

ETIM classification

ETIM 8.0	EC002498 - Accessories/spare parts for low-voltage switch technology
----------	--