

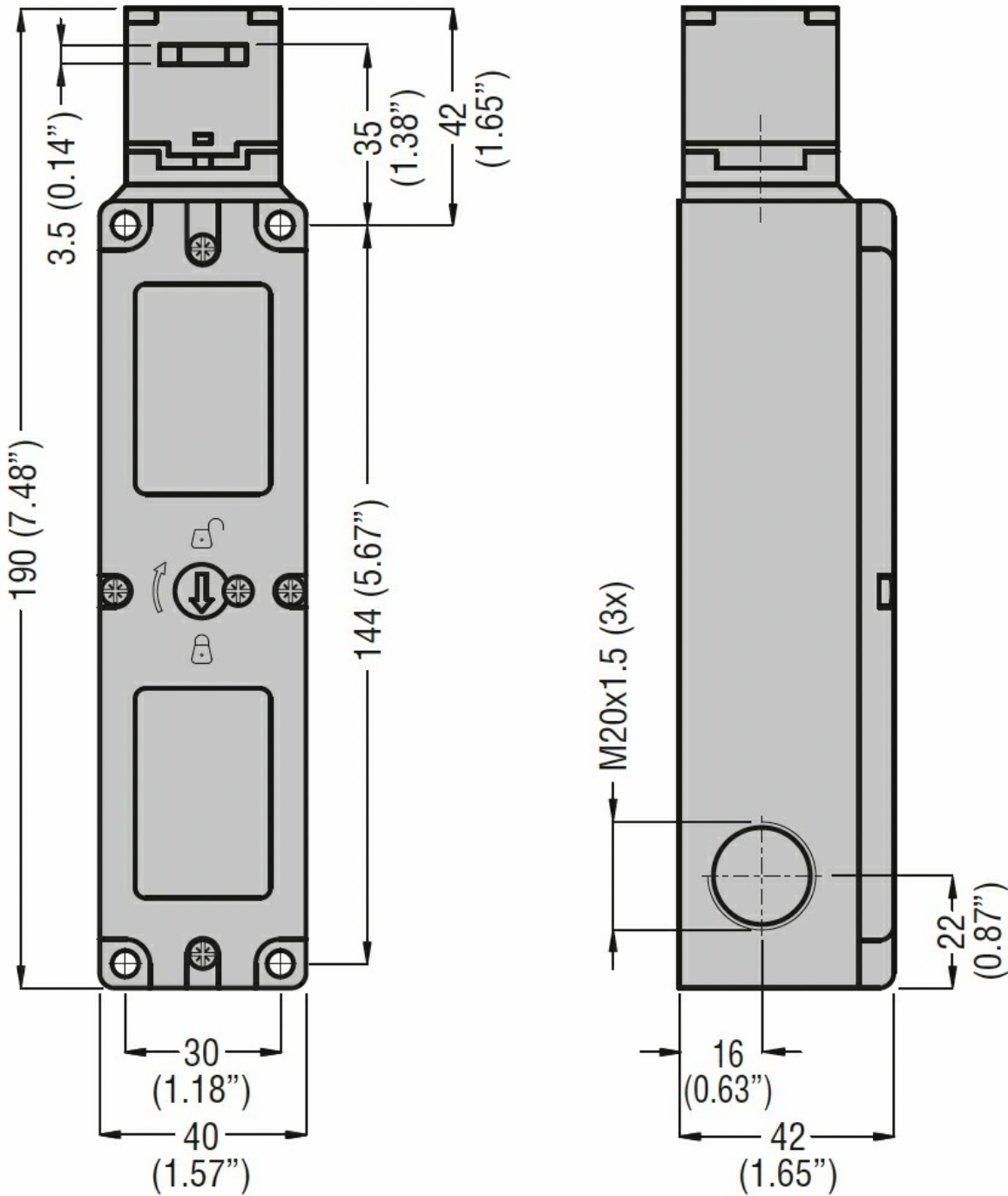


Product designation	Safety switches with solenoid		
Product type designation	KEN1		
<b>General characteristics</b>			
<b>General characteristics</b>			
Housing Material	Polymer thermoplastic		
<b>Contact characteristics</b>			
Type of contact	1NO+1NC (Key), 2NC (Solenoid)		
Thermal current I <sub>th</sub>	A	10	
IEC/EN 60947-5-1 designation	A300 Q300		
Rated insulation voltage U <sub>i</sub>	V	250	
Rated impulse withstand voltage U <sub>imp</sub>	kV	2.5	
Short-circuit protection with fuse	Class/A	10 gG	
IEC Conventional free air thermal current I <sub>th</sub>	A	10	
<b>Operations</b>			
Mechanical life	cycles	1000000	
B10d	cycles	4000000	
Mechanical operation	cycles/h	600	
<b>Output characteristics</b>			
Mechanical life	cycles	1000000	
<b>Mechanical features</b>			
Operating head fixing	Screwed		
Operating torque	N	15 (actuator insertion), 30 (Release actuator extraction), 1200 (locked actuator holding)	
<b>Tightening torque (Max)</b>			
Switch fixing	Nm	2.5	
Contact terminals	Nm	0.8	
Body lid screw fixing	Nm	0.8	
<b>Conductor section</b>			
IEC	min	mm <sup>2</sup>	1 or 2
	max	mm <sup>2</sup>	1.5
Cable connection	Self-releasing screw terminal		
Cable entry	3 x M20		
Weight	g	440	

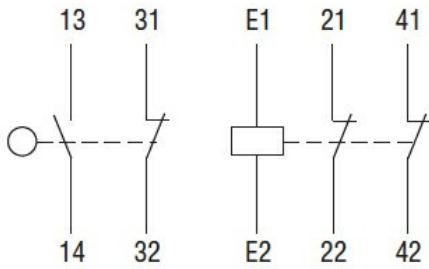
**Ambient conditions**

Pollution degree	3		
Temperature	Operating temperature		
	max	°C	+55
	Storage temperature		
	min	°C	-40
	max	°C	+70

**Dimensions**



**Wiring diagrams**



### Certifications and compliance

#### Compliance

CSA C22.2 n°14

IEC/EN 60204

IEC/EN 60947-1

IEC/EN 60947-5-1

UL508

UNI EN ISO 14119

#### Certificates

cULus

EAC

### ETIM classification

ETIM 8.0

EC000030 - End  
switch