



Product designation

Safety switches
with solenoid
KEN1

Product type designation

General characteristics

General characteristics

Housing Material

Polymer
thermoplastic

Contact characteristics

Type of contact

1NO (Key),
2NC+1NO
(Solenoid)

Thermal current I_{th}

A 10

IEC/EN 60947-5-1 designation

A300 Q300

Rated insulation voltage U_i

V 250

Rated impulse withstand voltage U_{imp}

kV 2.5

Short-circuit protection with fuse

Class/A 10 gG

IEC Conventional free air thermal current I_{th}

A 10

Operations

Mechanical life

cycles 1000000

B10d

cycles 4000000

Mechanical operation

cycles/h 600

Output characteristics

Mechanical life

cycles 1000000

Mechanical features

Operating head fixing

Screwed

Operating torque

N 15 (actuator
insertion), 30
(Release actuator
extraction), 1200
(locked actuator
holding)

Tightening torque (Max)

Switch fixing

Nm 2.5

Contact terminals

Nm 0.8

Body lid screw fixing

Nm 0.8

Conductor section

IEC

min mm² 1 or 2
max mm² 1.5

Cable connection

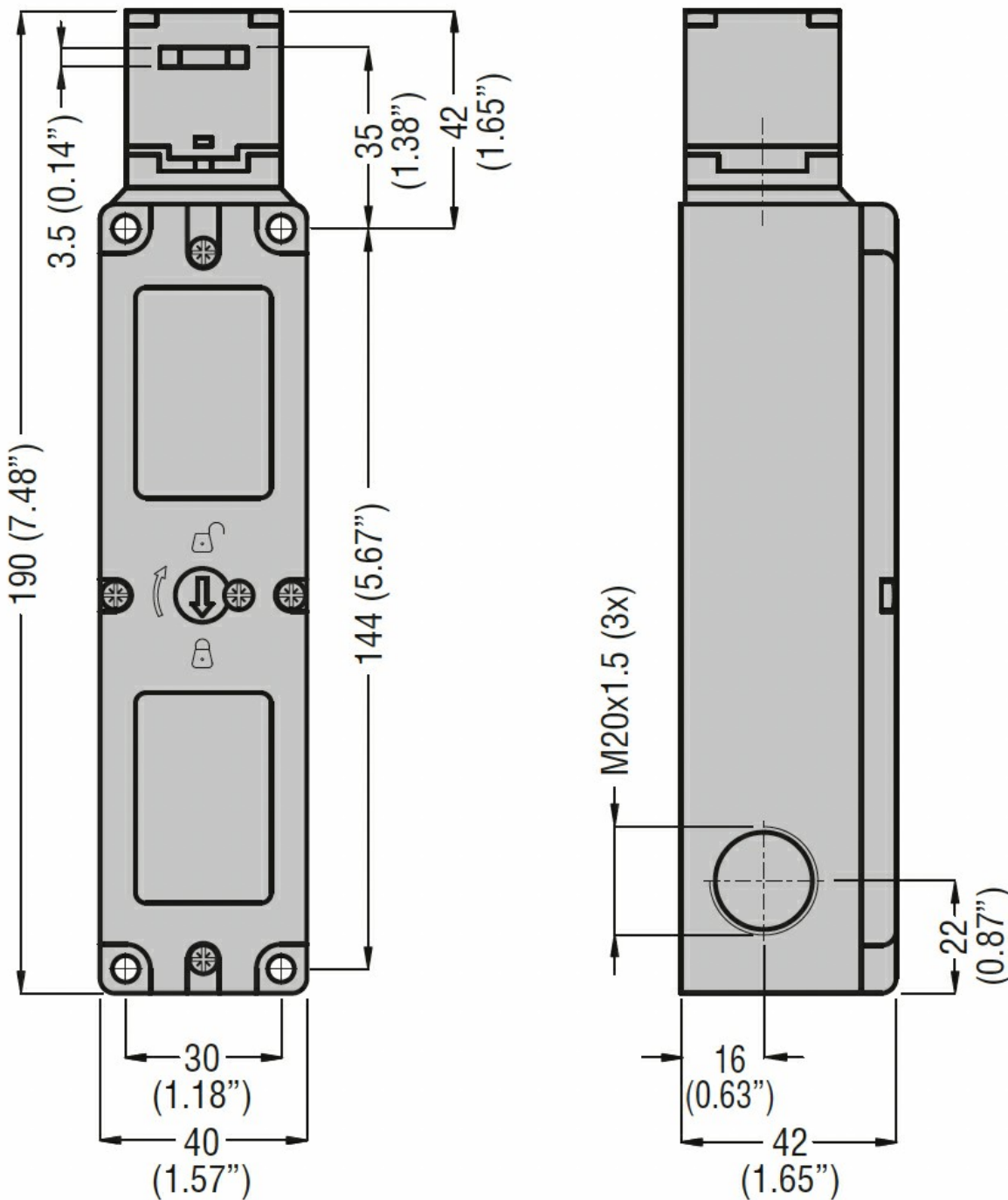
Self-releasing
screw terminal

Cable entry

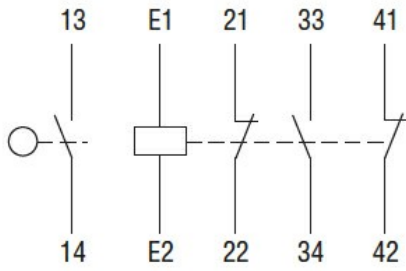
3 x M20

Weight	g	440
Ambient conditions		
Pollution degree		3
Temperature		
Operating temperature	max °C	+55
Storage temperature	min °C	-40
	max °C	+70

Dimensions



Wiring diagrams



Certifications and compliance

Compliance

CSA C22.2 n°14

IEC/EN 60204

IEC/EN 60947-1

IEC/EN 60947-5-1

UL508

UNI EN ISO 14119

Certificates

cULus

EAC

ETIM classification

ETIM 8.0

EC000030 - End
switch