



Hinge operating
KCP

Product designation
Product type designation

General characteristics

General characteristics

Housing Material

Polymer
thermoplastic

Rod material

Short cylinder
hinge

Contact characteristics

Type of contact

1NO+1NC Slow
action

Thermal current I_{th}

A 10

IEC/EN 60947-5-1 designation

A600 Q600

Rated insulation voltage U_i

V 690

Rated impulse withstand voltage U_{imp}

kV 6

Insulation class

II

Short-circuit protection with fuse

Class/A 10 gG/SC
QUICK FUSE

Switching speed

min	m/s	0.5
max	m/s	1.5

IEC Conventional free air thermal current I_{th}

A 10

Resistance per pole (average value)

mΩ <10

Operations

Mechanical life

cycles 100000

B10d

cycles 100000

Mechanical operation

cycles/h 3600

Output characteristics

Mechanical life

cycles 100000

Mechanical features

Operating head fixing

Locking bayonet
insert

Operating torque

Ncm	15
ozin	21.2

Tightening torque (Max)

Switch fixing

Nm	2.5
lbin	22.1

Contact terminals

Nm	0.8
lbin	7

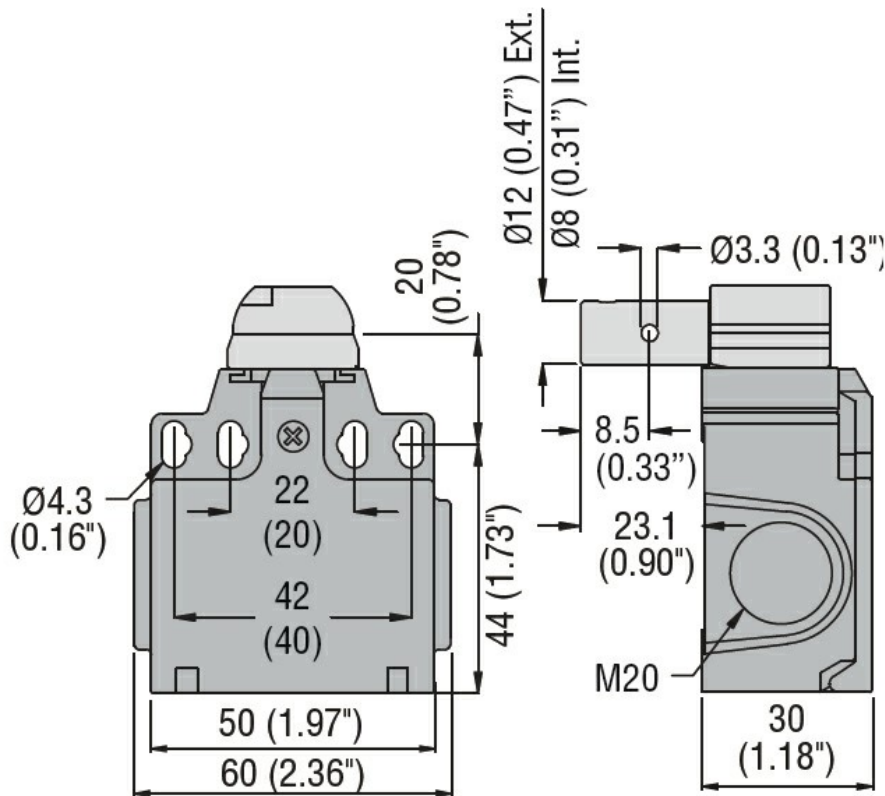
Body lid screw fixing

Nm	0.8
lbin	7

Conductor section

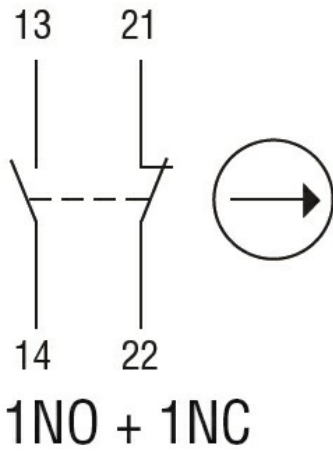
AWG/Kcmil	min	16	
	max	14	
IEC	min	mm ²	1or 2
	max	mm ²	2.5
Cable connection	Self-releasing screw terminal		
Cable entry	M20 on the sides		
Ambient conditions			
Pollution degree	3		
Temperature			
Operating temperature	min	°C	-25
	max	°C	+70
Storage temperature	min	°C	-40
	max	°C	+70

Dimensions



Wiring diagrams

Slow action



Certifications and compliance

Compliance

CSA C22.2 n° 14

EN 50047

IEC/EN 60204-1

IEC/EN 60947-1

IEC/EN 60947-5-1

UL508

Certificates

CCC

cULus

EAC

ETIM classification

ETIM 8.0

EC000030 - End
switch