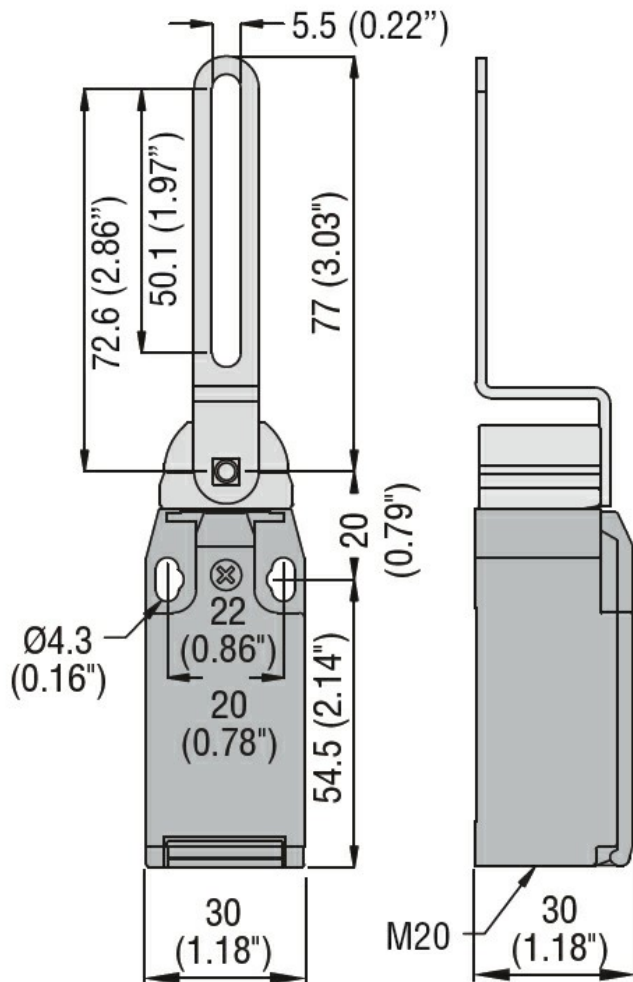




Product designation	Slotted lever		
Product type designation	KBQ		
General characteristics			
General characteristics			
Housing Material	Polymer thermoplastic		
Contact characteristics			
Type of contact	3NC Slow action		
Thermal current I _{th}	A	10	
IEC/EN 60947-5-1 designation	A600 Q600		
Rated insulation voltage U _i	V	690	
Rated impulse withstand voltage U _{imp}	kV	6	
Insulation class	II		
Short-circuit protection with fuse	Class/A	10 gG/SC QUICK FUSE	
Switching speed	min	m/s	0.5
	max	m/s	1.5
IEC Conventional free air thermal current I _{th}	A	10	
Resistance per pole (average value)	mΩ	<10	
Operations			
Mechanical life	cycles	100000	
B10d	cycles	100000	
Mechanical operation	cycles/h	3600	
Output characteristics			
Mechanical life	cycles	100000	
Mechanical features			
Operating head fixing	Locking bayonet insert		
Operating torque	Ncm	15	
	ozin	21.2	
Tightening torque (Max)			
Switch fixing	Nm	2.5	
	lbin	22.1	
Contact terminals	Nm	0.8	
	lbin	7	
Body lid screw fixing	Nm	0.8	
	lbin	7	
Conductor section			
AWG/Kcmil	min	16	

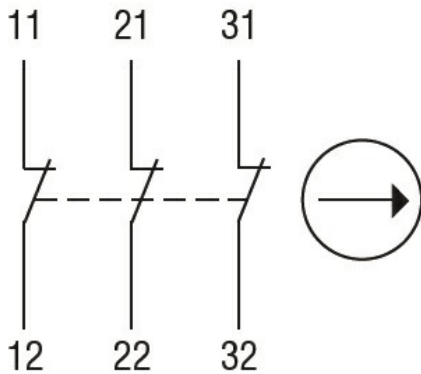
			max	14
IEC			min	mm ² 1 or 2
			max	mm ² 2.5
Cable connection				Self-releasing screw terminal
Cable entry				M20 on the bottom
Ambient conditions				
Pollution degree				3
Temperature				
	Operating temperature		min	°C -25
			max	°C +70
	Storage temperature		min	°C -40
			max	°C +70

Dimensions



Wiring diagrams

Slow action



3NC

Certifications and compliance

Compliance

CSA C22.2 n° 14

EN 50047

IEC/EN 60204-1

IEC/EN 60947-1

IEC/EN 60947-5-1

UL508

Certificates

CCC

cULus

EAC

ETIM classification

ETIM 8.0

EC000030 - End switch