



Product designation	Hinge operating		
Product type designation	KBP		
<b>General characteristics</b>			
<b>General characteristics</b>			
Housing Material	Polymer thermoplastic		
Rod material	Short cylinder hinge		
<b>Contact characteristics</b>			
Type of contact	1NO+2NC Slow action		
Thermal current I <sub>th</sub>	A	10	
IEC/EN 60947-5-1 designation	A600 Q600		
Rated insulation voltage U <sub>i</sub>	V	690	
Rated impulse withstand voltage U <sub>imp</sub>	kV	6	
Insulation class	II		
Short-circuit protection with fuse	Class/A	10 gG/SC QUICK FUSE	
Switching speed	min	m/s	0.5
	max	m/s	1.5
IEC Conventional free air thermal current I <sub>th</sub>	A	10	
Resistance per pole (average value)	mΩ	<10	
<b>Operations</b>			
Mechanical life	cycles	100000	
B10d	cycles	100000	
Mechanical operation	cycles/h	3600	
<b>Output characteristics</b>			
Mechanical life	cycles	100000	
<b>Mechanical features</b>			
Operating head fixing	Locking bayonet insert		
Operating torque	Ncm	15	
	ozin	21.2	
Tightening torque (Max)			
Switch fixing	Nm	2.5	
	lbin	22.1	
Contact terminals	Nm	0.8	
	lbin	7	
Body lid screw fixing	Nm	0.8	
	lbin	7	
<b>Conductor section</b>			

LIMIT SWITCH, K SERIES, HINGE OPERATING, 1 BOTTOM CABLE ENTRY. DIMENSIONS TO EN 50047, PLASTIC BODY, CONTACTS 1NO+2NC SLOW ACTION. SHORT CYLINDER SHAFT

AWG/Kcmil

min 16  
 max 14

IEC

min mm<sup>2</sup> 1 or 2  
 max mm<sup>2</sup> 2.5

Cable connection

Self-releasing screw terminal

Cable entry

M20 on the bottom

**Ambient conditions**

Pollution degree

3

Temperature

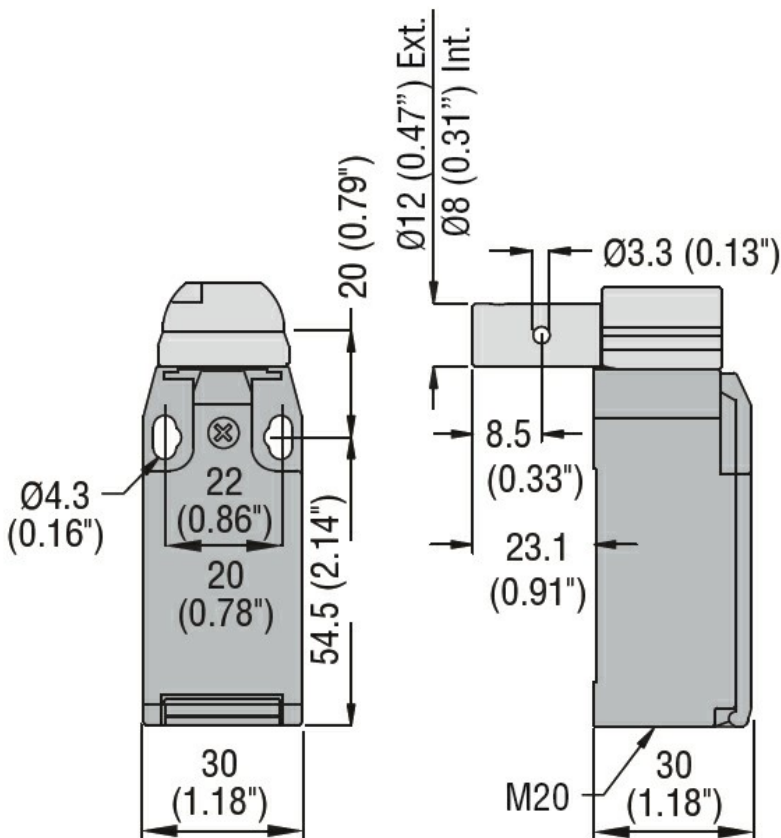
Operating temperature

min °C -25  
 max °C +70

Storage temperature

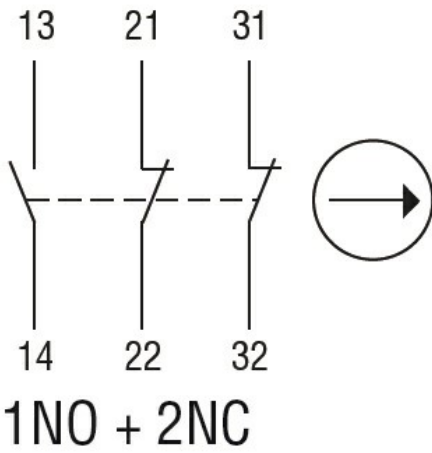
min °C -40  
 max °C +70

**Dimensions**



**Wiring diagrams**

## Slow action



### Certifications and compliance

#### Compliance

CSA C22.2 n° 14

EN 50047

IEC/EN 60204-1

IEC/EN 60947-1

IEC/EN 60947-5-1

UL508

#### Certificates

CCC

cULus

EAC

### ETIM classification

ETIM 8.0

EC000030 - End switch