

|   |                   |     |     |                                      |
|---|-------------------|-----|-----|--------------------------------------|
| Product designation                                       |                   |     |     | Rotary cam switches                  |
| Product type designation                                  |                   |     |     | GX32                                 |
| <b>General characteristics</b>                            |                   |     |     |                                      |
| Switching diagram   |                   |     |     | 12 - Star-delta motor starter switch |
| N° of elements  |                   |     |     | 4                                    |
| Mounting form   |                   |     |     | O - Rear mounting with black handle  |
| <b>Contact characteristics</b>                            |                   |     |     |                                      |
| Rated insulation voltage $U_i$                            | IEC/EN            | V   | 690 |                                      |
|   | UL/CSA            | V   | 600 |                                      |
| Rated impulse withstand voltage $U_{imp}$                 |                   |     | kV  | 6                                    |
| Conventional free air thermal current $I_{th}$            | IEC/EN            | A   | 32  |                                      |
|   | UL/CSA            | A   | 32  |                                      |
| Rated operational voltage                                 |                   |     | V   | 440                                  |
| Rated operational impulse voltage                         |                   |     | kV  | 4                                    |
| Maximum fuse size for short-circuit protection $I_n$ (gG) | 10kA              | A   | 35  |                                      |
|   | 15kA              | A   | 35  |                                      |
|   | 25kA              | A   | 35  |                                      |
| Rated short time current $I_{cw}$                         |                   |     | 1s  | kA                                   |
|   |                   |     |     | 1000                                 |
| Conductivity  |                   |     |     | 10/5 mA/V                            |
| Operational current $I_e$ IEC/EN                          | AC1/AC21A         |     |     | A                                    |
|   | AC15              |     |     |                                      |
|   | 110V              | A   | 25  |                                      |
|   | 220/230V          | A   | 20  |                                      |
|   | 380/400V          | A   | 10  |                                      |
|   | 660/690V          | A   | 2   |                                      |
| Rated operational power in AC                             | Three-phase AC-3  |     |     |                                      |
|   | 220/230V          | kW  | 7.5 |                                      |
|   | 380/440V          | kW  | 11  |                                      |
|   | 500/690V          | kW  | 11  |                                      |
|   | Single-phase AC-3 |     |     |                                      |
|   | 110V              | kW  | 1.8 |                                      |
|   | 220/230V          | kW  | 3.5 |                                      |
|   | 380/440V          | kW  | 5.5 |                                      |
|   | Three-phase AC23A |     |     |                                      |
|   | 220/230V          | kW  | 8   |                                      |
|   | 380/440V          | kW  | 15  |                                      |
|   | 500/690V          | kW  | 15  |                                      |
| Single-phase AC23A  |                   |     |     |                                      |
| 110V  | kW                | 2.2 |     |                                      |
| 220/230V  | kW                | 3.5 |     |                                      |
| 380/440V  | kW                | 6   |     |                                      |
| <b>Rated operational current in DC</b>                    |                   |     |     |                                      |

|  |      |                 |                   |  |
|--|------|-----------------|-------------------|--|
| DC21A                                  |      |                 |                   |  |
|  | 48V  | A               | 32                |  |
|  | 60V  | A               | 32                |  |
|  | 110V | A               | 5                 |  |
|  | 220V | A               | 0.8               |  |
|  | 440V | A               | 0.25              |  |
| DC23A (poles in series)                |      |                 |                   |  |
|  | 24V  | A               | 32 (1)            |  |
|  | 48V  | A               | 32 (2)            |  |
|  | 60V  | A               | 32 (3)            |  |
|  | 110V | A               | 15 (3)            |  |
|  | 220V | A               | 12 (4)            |  |
| DC13                                   |      |                 |                   |  |
|  | 24V  | A               | 32                |  |
|  | 48V  | A               | 25                |  |
|  | 60V  | A               | 14                |  |
|  | 110V | A               | 3                 |  |
|  | 220V | A               | 0.5               |  |
|  | 440V | A               | 0.15              |  |
| Power dissipation                      |      | W               | 1.6               |  |
| <b>Mechanical features</b>             |      |                 |                   |  |
| Terminals screw                        |      |                 | M4                |  |
| Tightening torque for terminals max    |      | Nm              | 1.2               |  |
| Conductor size                         |      |                 |                   |  |
| AWG - Rigid cable                      |      |                 |                   |  |
|  | min  | AWG             | 16                |  |
|  | Max  | AWG             | 8                 |  |
| AWG - Flexible cable                   |      |                 |                   |  |
|  | min  | AWG             | 16                |  |
|  | Max  | AWG             | 10                |  |
| Conductor size (IEC) - Flexible cable  |      |                 |                   |  |
|  | min  | mm <sup>2</sup> | 1.5               |  |
|  | Max  | mm <sup>2</sup> | 6                 |  |
| Conductor size (IEC) - Rigid cable     |      |                 |                   |  |
|  | min  | mm <sup>2</sup> | 1.5               |  |
|  | Max  | mm <sup>2</sup> | 10                |  |
| Mechanical life                        |      | cycles          | 1X10 <sup>6</sup> |  |
| <b>UL technical data</b>               |      |                 |                   |  |
| Motor power for direct-on-line control |      |                 |                   |  |
| for three-phase motor                  |      |                 |                   |  |
|  | 120V | HP              | 3                 |  |
|  | 240V | HP              | 7.5               |  |
|  | 480V | HP              | 15                |  |
|  | 600V | HP              | 15                |  |
| for single-phase motor                 |      |                 |                   |  |
|  | 120V | HP              | 1.5               |  |
|  | 240V | HP              | 3                 |  |
| <b>Ambient conditions</b>              |      |                 |                   |  |
| Temperature                            |      |                 |                   |  |
| Operating temperature                  |      |                 |                   |  |
|  | min  | °C              | -25               |  |
|  | max  | °C              | +55               |  |
| Storage temperature                    |      |                 |                   |  |
|  | min  | °C              | -40               |  |

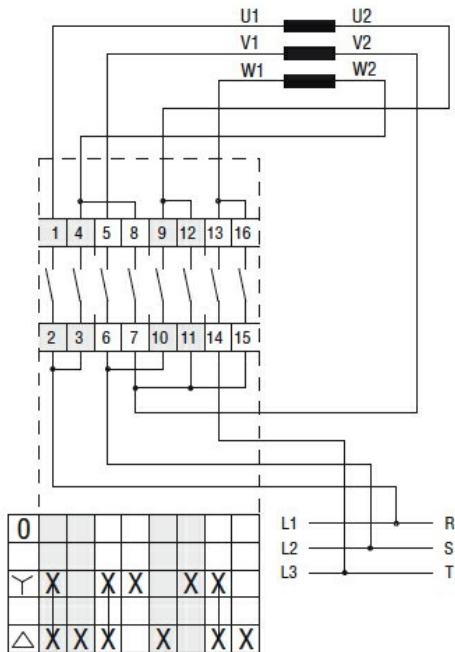
max °C +70

**Resistance & Protection**

|                     |      |
|---------------------|------|
| Frontal IP degree   | IP65 |
| Terminals IP degree | IP20 |

**Dimensions**

**Wiring diagrams**



**Certifications and compliance**

**Compliance**

- CSA C22.2 n° 14
- IEC/EN/BS 60947-1
- IEC/EN/BS 60947-3
- IEC/EN/BS 60947-5-1
- IEC/EN/BS 61058-1
- UL60947-4-1

**Certificates**

- cULus
- EAC

**ETIM classification**

ETIM 8.0

EC001029 -  
Selector switch,  
complete